



EXTREMEMETAL
FABRICATORS

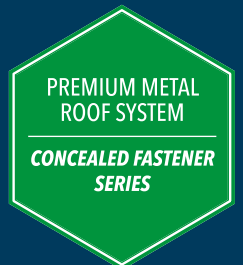
SKILLED CRAFTERS OF METAL ROOFING SYSTEMS

INSTALLATION TECHNICAL GUIDE



PEAKMAX

1 1/2" MECHANICAL STANDING SEAM





IMPORTANT INFORMATION

PeakMax

The application and detail drawings depicted herein are strictly for illustration purposes only and may not be applicable to all environmental conditions, building code requirements, building designs or changes. It is the responsibility of the building owner, contractor, installer, and design professional to determine applicable regulations, building codes, and accepted industry practices. Consult with all authorities having jurisdiction and adapt recommendations in this guide to meet those requirements. Extreme Metal Fabricators, LLC (EMF) should be contacted when local, controlling codes or insurance requirements conflict with Extreme Metal Fabricators recommendations. Further, it is the buyer's responsibility to verify all code requirements, check all measurements, and determine suitability of this product(s) for the job. The buyer is responsible for supplying and confirming all actual length and quantities needed. All instructions in this guide assume that a qualified firm or individual has been contracted to install the product(s) described herein. Always consult your specific material and finish warranties to understand your responsibilities and contact EMF if you have questions. Failure to comply with stated recommendations voids all manufacturer responsibility for any damage or deterioration due to misuse of the product and voids any applicable warranty.

The details shown are proven methods of construction. However, weather-tightness is the responsibility of the installer. **Extreme Metal Fabricators shall be held harmless from any and all claims resulting from a lack of water-tightness as a result of following these suggested typical detail drawings.** Descriptions of products and specifications contained herein were in effect at the time this publication was approved for printing and subject to change at any time. Extreme Metal Fabricators reserves the right to make, and shall be held harmless from claims resulting from changes to product design and/or specifications, or the discontinuation of products at any time. **To ensure you have the latest information available, contact your Extreme Metal Fabricators sales representative at 1-833-363-7663.**

For complete performance specifications, product limitations, and disclaimers, please consult the metal and finish warranties for your specific product(s). These are available by contacting your Extreme Metal Fabricators sales representative if applicable. A description of the type of warranties that may be available can be found at extrememetalfabricators.com.



OFFICE LOCATIONS

Corporate Office and Plant

2160 SW Poma Drive
Palm City, Florida 34990
772.872.8034
needmetal@emfab.net

Key Largo Service Center

Key Largo, Florida 33037
833.363.7663
needmetal@emfab.net

Panama City Service Center

7111 Bayou George Drive
Panama City, Florida 32404
833.363.7663
needmetal@emfab.net

EXTREMEMETALFABRICATORS.COM



PRODUCT DESCRIPTION

- 4** Intro
- 4** Features and Specifications
- 4** Panel Testing

PRODUCT SAFETY AND HANDLING

- 5** Safety
- 5** Delivery and Receiving
- 5** Storage
- 6** Handling

PRE-INSTALLATION

- 8** Important Information for Architect/Contractor/Installer
- 8** Ordering and Measuring
- 8** Roof Deck Preparation
- 9** Before Panel Installation
- 9** Oil Canning, Field Cutting and Dissimilar Metals
- 9** Fastener, Sealant and Accessory Information
- 11** Product Installation Checklist

MAINTENANCE AND REPAIR

- 14** Routine Maintenance
- 15** Cleaning Metal Panels
- 17** Repairs

INSTALLING METAL PANELS

- 18** Order of Installation
- 18** Panel Installation
- 20** Seaming Metal Panels
- 21** Clip and Fastener Patterns
- 22** Hem Lengths and Thermal Movement

INSTALLATION DETAILS

- 24** Fixed Ridge/Hip
- 25** Vented Ridge
- 27** Valley with Cleat
- 28** 1-Piece Valley
- 29** Eave
- 30** Eave with Gutter
- 32** Hemmed Rake/Gable
- 33** Floating Rake/Gable
- 34** Rake/Gable
- 35** Peak - Panel to Panel
- 36** Peak - Panel to Wall
- 37** Headwall
- 40** Valley Wall
- 43** Sidewall
- 46** Slope Transition
- 47** Penetration
- 48** Floating Penetration



PRODUCT DESCRIPTION

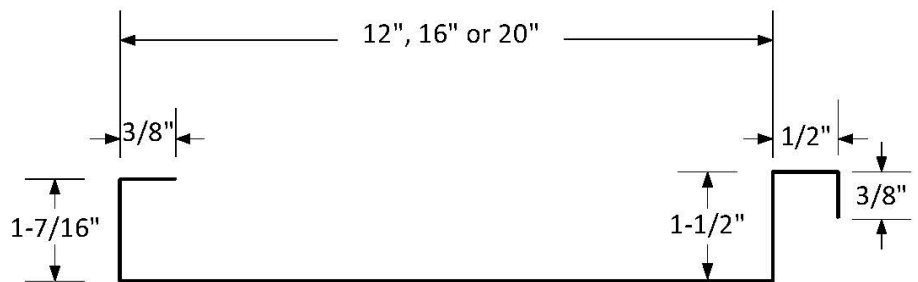
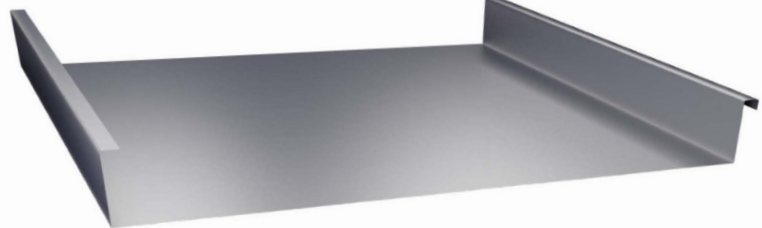
PeakMax

PEAKMAX

1 1/2" MECHANICAL STANDING SEAM

PEAK PERFORMANCE AND CLEAN LINES

PeakMax delivers classic architectural lines with performance materials and installation ease. Perfect for commercial and residential building applications as well as fascias, soffits and walls. The clip system allows for a wide tolerance of thermal movement—critical for significant temperature changes.



All dimensions are nominal.

PRODUCT FEATURES AND SPECIFICATIONS

- **Description:** 1-1/2-inch mechanical standing seam
- **Seam:** 90° or 180°
- **Material:** 22-, 24-, 26-gauge steel; .032, .040 aluminum; 16 oz. copper
- **Slope:** 2:12 or greater, site-specific available
- **Support:** Wood deck of 15/32" or greater plywood or steel deck
- **Coverage:** 12 inches, 16 inches, or 20 inches
- **Finish:** Kynar 500®; Mill-finished Maxalúme (Galvalume Plus)
- **Other:** Curve-capable; Available with striated, pencil bead, ribbon bead or traditional flat seam

PANEL TESTING

- **Uplift Resistance:** UL 580, TAS 110, TAS 125
- **Wind-Driven Rain:** TAS 100
- **Tensile Strength:** ASTM E8
- **Fire Rating:** UL 790
- **Accelerated Coating:** ASTM G152
- **Salt Spray Coating:** ASTM B117
- **Florida Building Code:** Approved HVHZ/Non-HVHZ
- **Miami-Dade County:** Product Control Approved



PRODUCT SAFETY & HANDLING

PeakMax

SAFETY

It is the installer's responsibility to study and ensure compliance with all applicable OSHA and other safety requirements before starting any project, including but not limited to, record keeping, fall protection, ladder safety, electrical and hand tools, and personal protective garments and equipment. It is recommended when working with metal panels to wear heavy gloves and long sleeves to avoid cuts from sharp edges. When power cutting or drilling metal panels, always wear safety glasses to prevent eye injury from flying debris. Use extreme caution when walking on a metal roof. Metal panels may become slippery, so always wear shoes with non-slip soles and avoid working on metal roofs during wet conditions. Do not walk on a metal roof which does not have a solid deck beneath it and avoid walking on seams. Safety railing, netting, harnesses, and safety lines should be provided and used by all crewmembers working on the roof.

MATERIAL DELIVERY & RECEIVING

Extreme Metal Fabricators will deliver roofing panels to the jobsite in bundled packages or they will be roll-formed at the jobsite. It is the customer's responsibility to unload material and inspect for shortages or damages at the time of delivery. Customers that pick up their orders in lieu of delivery accept responsibility for verifying and securing material for transport before leaving. Notify Extreme Metal Fabricators immediately regarding any shortages or damaged material as Extreme Metal Fabricators will not be held responsible for shortages or damages that may occur after pickup or delivery. It is recommended that the customer has sufficient personnel present at the time of delivery to facilitate receiving, inspecting, reporting shortages and/or damages, staging and storing of the roofing panels, trim and other delivered products.

STORAGE

It is the customer's responsibility to store the panels properly. Materials should be installed soon after delivery, preferably beginning the following day. It is recommended that all material be stored in a dry area protected from the elements on the jobsite. If material must be stored outside, proper precautions must be taken to protect the material from damage and trapping moisture beneath, on top of, and between panels to avoid water stains or white rust. Panels must be stored at an angle to promote drainage of water off the bundle. Sufficient support must be provided to the raised and angled bundles to avoid excessive bowing, which may result in puddling of water. The bundle must be completely sheltered with a loose-fitting waterproof tarp to protect the bundle during rain, while also allowing for air circulation and drying of condensed water. Plastic is not recommended since it may cause sweating and condensation.

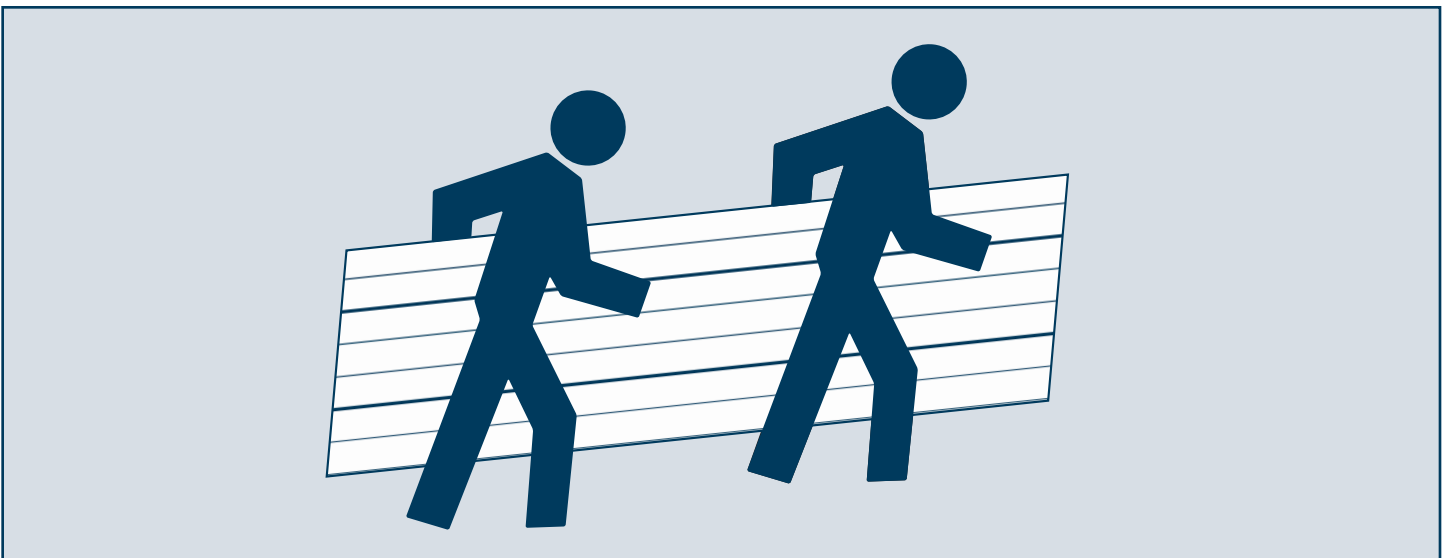


In addition to water there are other important factors that contribute to the corrosion of stored panels. These factors are temperature and exposure time. Given enough time, panels will eventually become wet and storage corrosion may occur under most job site conditions. Even in a well-protected bundle the natural temperature and humidity variations will cause water to condense on and between panels. Shipping the bundle from a cold area to a warm area will cause water to condense not only on the bundle but also between the panels.

HANDLING OF METAL PANELS

• **General Handling:** Each bundle should be handled with care to avoid product damage. Proper handling should be used to prevent bending panels or scratching the finish. Clean protective gloves should be worn when handling metal panels to protect the finish and avoid injury from cuts. To prevent panel damage, follow these steps for unloading and handling bundle:

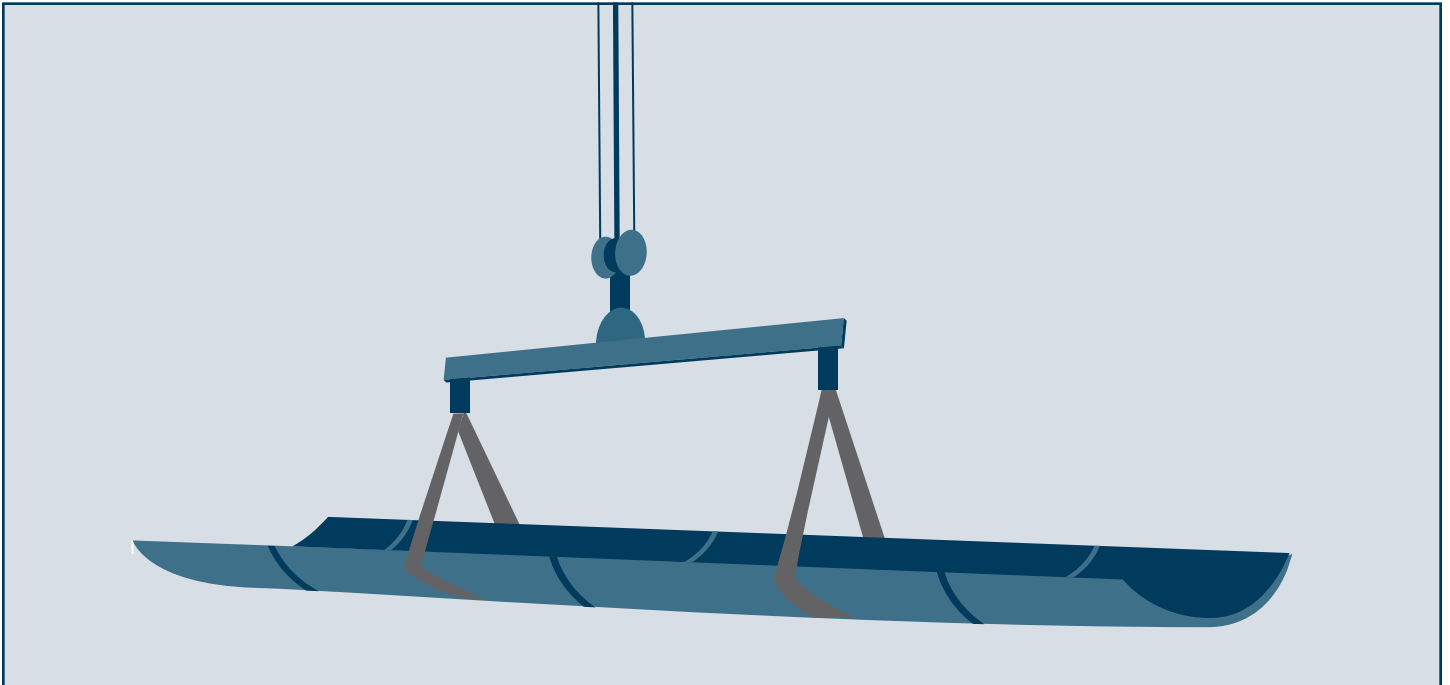
- 1 Bundle should remain banded and intact during any handling** and remain banded until the panels are ready to be installed.
- 2 Never lift bundle by its banding.** Do not lift with ropes or wires. Always lift bundle as close as possible to its center of gravity.
- 3 Never lift a panel by its ends.** Carry a panel by its longitudinal edge and in a vertical (not flat) position. For panels over 10 ft., two or more people should lift and carry the panel from the same edge.



- 4 Once a bundle is opened, individual panels must be handled with care to prevent panel buckling or finish damage.** Never slide a panel over another panel when removing it from the bundle. A panel should be lifted up from the bundle in order to minimize the possibility of damaging the finish.



- **Mechanical Handling:** When lifting by crane, use a spreader bar of appropriate length and nylon band slings. Do not use cable slings as they may damage panels. A panel bundle of manageable length may be lifted by forklift. Set forklift forks to their maximum spacing apart and center the load on the forks to prevent panel damage.



- **Protective Film:** If you have special ordered protective film as part of your metal panel order, the film must be removed promptly before panels are exposed to direct sunlight and/or high temperatures. After exposure to heat or sunlight, this film cannot be removed. Never leave protective film on panels after installation. Extreme Metal Fabricators cannot be held liable for damage to metal panels caused by improper storage and failure to remove protective film.
- **Touch-Up Paint:** Painted panels, trim and flashings are made with a factory-applied heat-cured finish. During handling and installation, a panel may become slightly scratched or nicked. Touch-up paint is available in matching colors and Extreme Metal Fabricators recommends ordering matching touch-up paint at the time of original metal panel order for best matching.

Limit application of touch-up paint to the exact area in need of repair with as little paint as necessary. Do not paint over panel finish with brushes that are too large for the affected area. Consider use of small artist's brush or cotton swab for improved application control. While aerosol touch-up paint is available, its use can cause significant overspray and is not as durable. Note that touch-up paint does not have the superior chalk and fade resistance of a factory-applied finish and will likely discolor at an accelerated rate. Due to the limitations and formulation of field-applied touch-up paint, no warranties apply to its use.



PRE-INSTALLATION INFORMATION

PeakMax



Important for Architect, Engineer, Contractor & Installer

It is the responsibility of the designer/engineer to ensure that the following details are adapted to meet the conditions encountered within any particular building design when using the products described herein, including governing product approvals and building codes. Extreme Metal Fabricators should be contacted when local, controlling codes or insurance requirements conflict with EMF recommendations. Please familiarize yourself with all instructions before starting metal panel installation.

- **Ordering and Measuring for Metal Panels:** Extreme Metal Fabricators representatives are available to walk you through the process of estimating materials and providing a detailed estimate for your project. Estimates can be created from satellite imagery, blueprints/drawings, or a sketch with dimensions.

ACCURATE FIELD MEASUREMENTS = QUALITY INSTALLATION

MEASURE > VERIFY CUT SHEETS > CHECK ACCURACY > RELEASE TO PRODUCTION

Before releasing materials for fabrication, it is recommended that panel lengths, quantities, profiles and dimensions of flashings or flat sheet quantities be verified through field measurements.

All correspondence related to order measurements and quantities, etc. should be submitted in writing to Extreme Metal at needmetal@emfab.net. Cut sheets should be verified for accuracy prior to approval for production. Extreme Metal Fabricators shall not be liable for any errors and/or omissions after approved shop drawings are released for fabrication by the customer.

- **Roof Deck:** It is the responsibility of the contractor/installer to ensure that the roof deck is properly prepared and meets all applicable code requirements prior to panel installation. The deck should be examined to ensure that all supporting members are straight, level and plumb to prevent any panel distortion. Potential problems should be reported in writing to the general contractor, architect, or owner and work to install metal panels should not begin until all unsatisfactory conditions have been corrected. In general, the appearance of installed metal panels will follow the form of the roof deck. The surface should be smooth, straight, and free of humps and depressions. Any surface imperfections will be transferred through the roof panel and likely visible after the roof is installed. Check for and correct uneven decking, ridges in underlayment and other protruding areas. A solid deck should also be swept clean and be free of any fasteners, litter, or debris. Panel distortions caused by improper handling, ridges in underlayment, uneven decking, construction debris, etc. are not cause for rejection of metal panels.



- **Delivery and Receiving:** Refer to the **Product Safety and Handling** section on pages 5-7 of this guide for important information about the delivery, receiving and handling of metal panels. It is the customer's responsibility to inspect panels against the shipping list at the time of pick-up or delivery. Extreme Metal Fabricators will not be held responsible for shortages or damages not noted on the shipping list at time of pick-up or delivery.
- **Before Start of Installation:** When starting metal panel installation, ensure panels are held true, plumb and straight. Panel widths are typically nominal, and it is recommended that periodic measurements be taken to ensure horizontal spacing is not gaining or losing width.
- **Field Cutting:** Some field cutting and fitting of metal panels and trims, as well as minor field corrections are a part of normal installation work and should be planned for. Extreme Metal Fabricators recommends the use of tin snips or a "nibbler" type electric tool for field cutting panels. Circular saws, torches, and plasma cutters should not be used. All metal shavings and/or filings must be removed from panels and flashing each day to avoid rusting metal surfaces which could void any applicable warranties and shorten the life of the product. At end of the project, it is recommended to do a final check for any filings to ensure removal.
- **Dissimilar Metals:** When using dissimilar metals and/or pressure-treated wood, a separation barrier must be used to prevent contact between dissimilar metals and/or wood. Fasteners installed into pressure-treated lumber should be tested and approved for use. Approved fasteners are Series 300 stainless steel, hot-dipped galvanized, or fasteners coated with an approved coating capable of resisting the corrosive effects of pressure-treated lumber.
- **Clips/Fasteners:** Proper fastener installation is critical to ensure performance of a metal roof. Fasteners, clips and spacing patterns should follow recommendations in this guide, applicable product approvals and building codes governed by the jurisdiction of the project. Over or under-tightening of fasteners can reduce performance or result in a wavy panel. Metal shavings or fragments resulting from fastener installation should be completely removed from panels daily to avoid rusting.



Important Information about Oil Canning

Oil canning can be described as the amount of waviness found in the flat area of metal panels. Oil canning is an inherent characteristic of light-gauge, cold-formed metal products, does not affect the integrity of the panel, and is not a cause for rejection. Designers may consider narrower panel widths, heavier gauge metal, and the use of stiffening ribs or striations as potential means to minimize oil canning. Installers should take care to use proper torque when installing fasteners to reduce waviness as well.



- **Sealants:** Sealant used in joints, flashings, and seams shall be supplied or approved by Extreme Metal. Sealant used in seams shall be the sealant used in testing this product, details of which can be found in the product approvals. Sealant shall be field applied on clean, dry surfaces without any skips or voids in the bead.
- **Trims, Closures and Accessories:** All trims, closures and accessories shown on the installation detail drawings are available from Extreme Metal Fabricators unless otherwise noted.



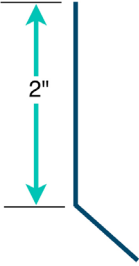
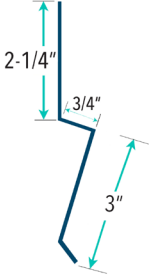
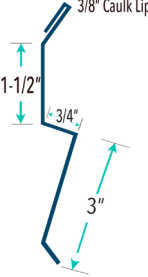
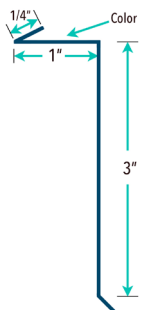
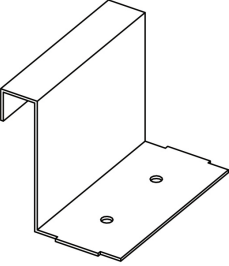
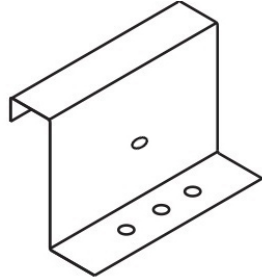
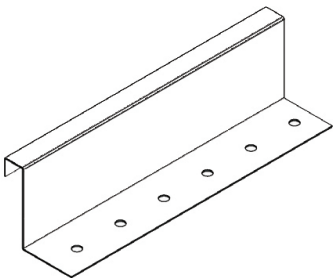
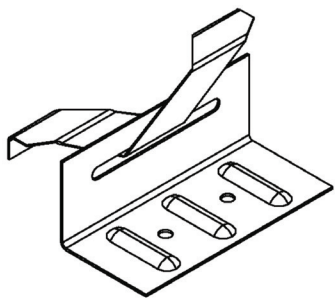
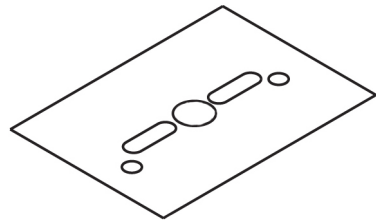
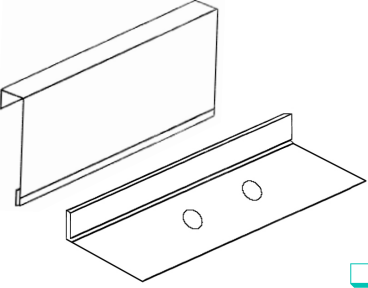
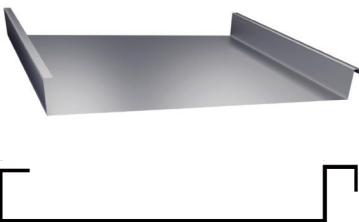
PRODUCT INSTALLATION CHECKLIST

<p>RIDGE CAP</p> <p>5-1/4" 5-1/4" 3/4" Open Hems</p> <p><input type="checkbox"/></p>	<p>VENTED RIDGE CAP</p> <p>2-1/2" 6" Specify Angle 3/4" 1/2" Flat Hems</p> <p><input type="checkbox"/></p>	<p>PERFORATED VENT/WATER DAM</p> <p>Perforated 1" 2-1/2" 1-1/2" 1/2"</p> <p><input type="checkbox"/></p>
<p>VALLEY</p> <p>Specify Slope a b c</p> <p>Standard <input type="checkbox"/> Open Hem <input type="checkbox"/></p>	<p>GABLE RAKE</p> <p>5-1/4" 3/4" 4" Open Hems</p> <p><input type="checkbox"/></p>	<p>EAVE DRIP/HEMMED GABLE</p> <p>4" 1" Flat Hem 2-1/2" Open Hem</p> <p><input type="checkbox"/></p>
<p>EAVE DRIP SLOPED</p> <p>4" 1" Specify Slope Flat Hem 2-1/2" Open Hem</p> <p><input type="checkbox"/></p>	<p>PEAK CAP</p> <p>a b Color Specify Slope Open Hem</p> <p>Open Hem</p> <p><input type="checkbox"/></p>	<p>HEADWALL FLASHING</p> <p>4" Color Specify Slope 5" 3/4" Open Hem</p> <p><input type="checkbox"/></p>
<p>SIDEWALL FLASHING</p> <p>4" Color 3/4" Open Hem</p> <p><input type="checkbox"/></p>	<p>ZEE CLOSURE</p> <p>1"</p> <p><input type="checkbox"/></p>	<p>OFFSET/VALLEY CLEAT</p> <p>3"</p> <p><input type="checkbox"/></p>

Custom flashings and trim available upon request. Contact EMF for additional information. The items listed are for a typical installation. Installers should determine products required for a specific project based on applicable regulations, product approvals, building codes, and accepted industry practices.



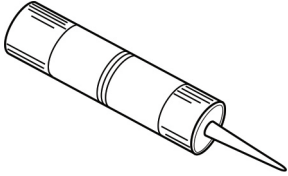
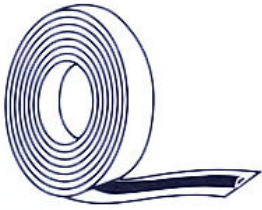


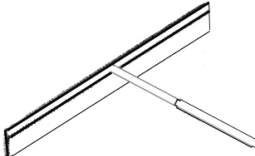
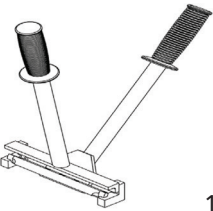
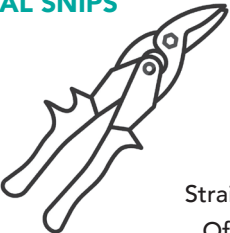



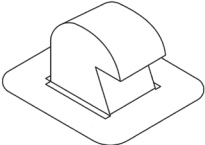


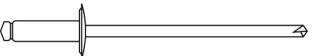
PRODUCT INSTALLATION CHECKLIST

<p>STANDARD CLEAT</p>  <input type="checkbox"/>	<p>STUCCO STOP COUNTER-FLASHING</p>  <input type="checkbox"/>	<p>SURFACE MOUNT COUNTER-FLASHING</p>  <input type="checkbox"/>
<p>REGLET COUNTERFLASHING</p>  <input type="checkbox"/>	<p>FIXED CLIP 2"</p>  <input type="checkbox"/>	<p>FIXED CLIP 3"</p>  <input type="checkbox"/>
<p>FIXED CLIP 6"</p>  <input type="checkbox"/>	<p>2-PIECE BUTTERFLY CLIP 1"</p>  <input type="checkbox"/>	<p>BEARING PLATE</p>  <input type="checkbox"/>
<p>2-PIECE FLOATING CLIP 3"</p>  <input type="checkbox"/>	<p>PEAKMAX PANEL</p>  <input type="checkbox"/>	<p>UNDERLAYMENT</p> <ul style="list-style-type: none"> Palisade Synthetic <input type="checkbox"/> Peel & Seal Self Stick <input type="checkbox"/> Ultra HT Wind & Water Seal <input type="checkbox"/>

Custom flashings and trim available upon request. Contact EMF for additional information. The items listed are for a typical installation. Installers should determine products required for a specific project based on applicable regulations, product approvals, building codes, and accepted industry practices.



PRODUCT INSTALLATION CHECKLIST

<p>TUBE SEALANT</p>  <p>Bostik ChemCalk 915 <input type="checkbox"/> Geocell 2320 <input type="checkbox"/> TiteBond WeatherMaster Polymer <input type="checkbox"/></p>	<p>TAPE SEALANT</p>  <p>Butyl Tape <input type="checkbox"/> Peel & Seal Tape <input type="checkbox"/></p>	<p>INSULATION</p>  <p>Single Bubble <input type="checkbox"/> Double Bubble <input type="checkbox"/> MaxTight Air Barrier System <input type="checkbox"/> Opti-Liner High R Banded Liner <input type="checkbox"/></p>
<p>RIDGE VENT</p>  <p>ProfileVent <input type="checkbox"/> Razorback Universal <input type="checkbox"/></p>	<p>HEMMING TOOL</p>  <p>Drip Edge Hemming <input type="checkbox"/> Single Handle Hemming <input type="checkbox"/> 7" Turn-Up <input type="checkbox"/> Wide Handle Hemming <input type="checkbox"/></p>	<p>HAND CRIMPER</p>  <p>90 Degree <input type="checkbox"/> 180 Degree <input type="checkbox"/> Modulation Clamp <input type="checkbox"/> Offset <input type="checkbox"/></p>
<p>METAL SNIPS</p>  <p>Straight L/R <input type="checkbox"/> Offset L/R <input type="checkbox"/> Aluminum Tinner's Snips <input type="checkbox"/> TurboShear HD Drill Attachment <input type="checkbox"/></p>	<p>PENETRATIONS</p>  <p>Pipe Boot <input type="checkbox"/>  Retro-fit Boot <input type="checkbox"/></p>	<p>VENT</p>  <p>Attic Breeze 20w <input type="checkbox"/> 30w <input type="checkbox"/> 40w <input type="checkbox"/>  Gooseneck Vent Alum Steel 4" <input type="checkbox"/> <input type="checkbox"/> 6" <input type="checkbox"/> <input type="checkbox"/> 10" <input type="checkbox"/> <input type="checkbox"/></p>
<p>FASTENERS - WOOD SCREWS</p>  <p>#10 Pancake <input type="checkbox"/></p>	<p>FASTENERS - SELF DRILLER SCREWS</p>  <p>#10 Pancake <input type="checkbox"/> #12 HWH <input type="checkbox"/> 1/4x3/4" HWH Stitch <input type="checkbox"/></p>	<p>FASTENERS - SS POP RIVETS</p>  <p>Stainless Steel <input type="checkbox"/> Painted <input type="checkbox"/></p>

Custom flashings and trim available upon request. Contact EMF for additional information. The items listed are for a typical installation. Installers should determine products required for a specific project based on applicable regulations, product approvals, building codes, and accepted industry practices.



CLEANING, MAINTENANCE & REPAIRS

PeakMax

Metal panel roofing is designed to provide trouble-free performance for years, with little service required. However, damage can occur from the build-up of debris as well as storm-related damage like hail stones and falling branches. The following maintenance guidelines consist primarily of preventing and correcting these issues. Contractors and installers should familiarize themselves with this information and ensure that building owners understand the minimum maintenance recommended to prolong the beauty and protective properties of their metal roof.

ROUTINE MAINTENANCE

Routine visual inspection helps to identify potential problems. This can easily be done by simply walking around the building to look for accumulated debris or possible damage. It is recommended that the building owner do this at least twice a year. After a major weather event is another good time to inspect the roof to identify potential problem areas. **Caution: The use of binoculars is recommended so inspection can be done from the ground. If assessing damage from the ground is not possible, building owners should strongly consider hiring a professional trained in the safety precautions and proper maintenance of metal roofing.**

Additional steps building owners can take to prolong the life of their metal roof include:

- Eliminate any conditions that are causing water to pond and accumulate on roof panels.
- Keep an eye out for leaves, branches and other debris piled up on the roof, especially around valleys and protrusions such as vent pipes, skylights, etc.
- Keep gutters and downspouts maintained and clear of debris.
- Remove vegetation that may contact metal panels, including trees, branches or leaves, weeds, ivy, etc.
- Clean off dirt, mildew, stains, and other elements. (See **Cleaning Metal Panels** on page 15.)
- Promptly address scratches that appear to have penetrated the protective finish to the metal substrate.
- **When in doubt, building owners should contact a professional trained in the inspection, maintenance, repair and safety of metal roofing for their maintenance and cleaning needs.**



A metal roof should be professionally inspected every four to five years. In coastal or humid areas like Florida that are more prone to corrosion and rust, professional inspections should be done more frequently to prevent any rust that might have started from spreading and causing structural damage to the metal panels. Refer to all applicable finish and material warranties for important maintenance and cleaning requirements for your specific metal panel project.



CLEANING METAL PANELS

The coating systems on metal roofing are designed to be resistant to many elements found in the environment such as air pollution, acid rain and general airborne dirt. Although these finishes are extremely durable, a periodic cleaning to remove build-up of resins and other residue is a good idea to extend the life of the coating and performance of a metal roof. A variety of methods for removal of surface deposits from metal roofing panels are available. **IMPORTANT: Refer to care and maintenance guidance included in all applicable material and finish warranties prior to using any cleaning method on metal panels.**



Building owners should use extreme caution if attempting to follow the cleaning instructions listed in this guide. Extreme Metal Fabricators recommends hiring an experienced professional trained in the safety precautions and cleaning methods recommended for metal roofing.

ROUTINE CLEANING

- **Painted Finishes and Mill-Finished Maxalume (Galvalume Plus):** Simple washing with clean fresh water twice a year using a hose or low-pressure spray equipment (no more than 2500 psi) is usually adequate for routine maintenance of metal panels. To remove leaves and debris, using a leaf blower is a common choice, but a long-handled push-broom or a telescoping pole with a window cleaning brush will also do the job. Use caution not to scratch metal panels.
- **Copper:** Copper metal panels should be cleaned with clean, fresh water only. Do not chemically or abrasively clean copper metal panels. Do not use soaps, detergents or other cleaning agents.

TOUGHER STAINS

When heavy deposits of dirt or other contaminants dull metal roof surfaces, stronger cleaning methods may be necessary. In these situations, there are specific steps and methods that should always be followed so panels are not damaged as a result of cleaning. Contractors and installers should familiarize themselves with this information and ensure that property owners are provided with the information they need to properly maintain their metal roof. **Note: The following applies to painted and mill-finished panels only.**

These instructions do not apply to copper.

- **Detergent Solutions:** A 5% solution of commonly used commercial (non-industrial) detergents, such as Dawn®, will not have an adverse effect on painted metal panels. Use a cloth or soft brush for application. These solutions should be followed by liberal rinse of water.



• **Solvents:** For removal of non-soluble deposits like tar, grease, oil, paint, graffiti, etc., the solvents listed below can be used. These products should only be used to spot clean affected areas and should not be used to clean the entirety of the metal roof. Follow with liberal rinse of clean water. **Caution:** Most organic solvents are flammable and/or toxic and must be handled accordingly. Keep away from open flames, sparks, and electrical motors. Always use adequate ventilation and wear protective clothing and goggles.

- **Isopropyl (rubbing alcohol)**
- **Mineral Spirits**
- **VM&P Naphtha**
- **Turpentine (wood/gum spirits)**

• **Chemical Solutions:** For removal of mildew and rust from metal panels, the following solutions are recommended.

◆ **Mildew:** In areas subject to high levels of humidity (like Florida), dirt and spore deposits can permit mildew growth to occur. The following solution is recommended to remove mildew:

- 1/3 cup Dry Powdered Laundry Detergent (such as Tide®)
- 1-quart Sodium Hypochlorite 5% solution (such as Clorox®)
- 3 quarts water

◆ **Rust Stains:** Depending on where a metal roof is located, rust stains can develop on the painted surface over time. Usually this occurs when uncoated metal pieces and particles (typically steel) come into contact with the painted metal panels. The solution listed below, used with caution, may assist in removing rust stains.

- 1-part Hydrochloric, Citric Acid or Muriatic Acid
or Oxalic Acid or Vinegar
- Diluted with Ten Volumes of Water
- Limit Contact to Five Minutes

All chemical solutions used to remove mildew or rust stains should be flushed thoroughly with large amounts of clean water.



When Using Detergents or Other Solvents

Proper Equipment:

Do not use wire brushes, abrasives or similar cleaning tools which will mechanically erode the coating surface.

Test: Always test the cleaning agents listed in an inconspicuous area before use on a large scale.

Disposal: Please make sure you dispose of cleaning solutions in an environmentally friendly manner.

Warranty Note

Misuse or abuse of any cleaning agents listed in this guide can result in voiding of applicable warranties for the surface affected. Refer to the finish and material warranties issued for your specific project for important information about proper cleaning and maintenance.



REPAIRS

- **Touch-Up Paint for Minor Scratches:** Metal panels can become scratched due to branches or other light-weight debris coming into contact with the roof. Or tradespeople doing work unrelated to the metal roof could inadvertently scratch it. The manufacturer's recommended touch-up paint should be used to correct scratches as they can quickly degrade the surface protection and jeopardize the longevity of metal panels. Touch-up paint is available in matching colors to metal panels and should be ordered at the time of original metal panel order for best matching.

Limit application of touch-up paint to the exact area in need of repair with as little paint as necessary. Do not paint over panel finish with brushes that are too large for the affected area. Consider use of small artist's brush or cotton swab for improved application control. While aerosol touch-up paint is available, its use can cause significant overspray and is not as durable. Note that touch-up paint does not have the superior chalk and fade resistance of a factory-applied finish and will likely discolor at an accelerated rate. Due to the limitations and formulation of field-applied touch-up paint, no warranties apply to its use.

- **Other Repairs:** Should metal panels become damaged due to storm or other impact, improper maintenance, or if panels have separating seams, holes, loose or missing fasteners, it is recommended that the building owner engage a metal panel repair specialist to make the necessary repairs.



INSTALLING METAL PANELS

PeakMax

Prior to installation of a metal panel roofing system, the installer should familiarize themselves with the information in this guide. The installer should examine the roof deck to ensure that all supporting members are straight, level and plumb before work begins. Applicable product approvals, building codes, and accepted industry practices governing the project's jurisdiction should be verified. Extreme Metal Fabricators should be contacted when local, controlling codes or insurance requirements conflict with Extreme Metals Fabricators recommendations.

ORDER OF INSTALLATION

The direction and sequence of metal panel installation may vary from installation to installation based on a variety of conditions, including geographic factors, panel design, structural characteristics and aesthetic requirements. Proper planning of panel layout can save material, time, and labor and is always recommended. The steps below represent a typical installation. Extreme Metal Fabricators representatives are available to assist you with details for your specific installation if needed.

Typical order sequence for installing metal panels:

- Underlayment
- Eave or drip edge, and valley flashing
- Metal panels
- Transition (pitch break) flashing (if required by roof design)
- Z-closure, valley or transition cleat, ridge caps, gable rake trim, headwall and sidewall flashing

PANEL INSTALLATION

Once all underlying metal trim/flashing is in place, panel installation can begin. Mechanical standing seam metal roofing systems employ special clips for proper installation. A panel clip, crimped (rolled) with opposite ends of two metal panels, becomes part of a seam. A rolled or formed seam bonds and forms the individual panels into a single roof layer.

Panel installation should begin with the overlap side of metal panel along the gable. It is critical that the first panel is set square to the eave and ridge since it will be used as a baseline and reference for remaining panels. If the first panel is not set square, subsequently installed panels will also not be square impacting not only appearance, but long-term performance of the metal roof.



The female end of the first panel is typically attached to the roof deck on the gable end using approved fasteners. For greater thermal movement, the use of a floating rake is an acceptable alternative to fastening the first panel directly to the substrate. Next, a panel clip will be installed over the opposite (male) end of the panel. The female leg of the second panel is then rolled into place over the clip and male leg of the first panel so their ends are flush. This process repeats across the roof section until the gables/ends are reached on both sides. Installers should make sure that all clips are properly installed and that panel side laps are positioned properly for seaming. Installers are reminded that even small errors grow over distance.

As panel widths can nominally vary, it is also recommended that periodic measurements be taken to ensure horizontal spacing is not gaining or losing width.



Important Information About Thermal Movement

A standing seam roof panel experiences changes in panel length with changes in temperature known as thermal movement. To ensure that installed panels are allowed to expand and contract during this process as needed, installers should make certain that panels that are fixed on one end, are not fixed on the opposite end. See *Hem Lengths and Thermal Movement on page 22 for more information.*

FIELD CUTTING

Field cutting and fitting of metal panels and trims is usually required. When field cutting panels, use tin snips or a “nibbler” type electric tool. Properly using these tools will deliver the cleanest cuts, cause the least damage, and leave minimal rough edges. **Circular saws, torches, and plasma cutters should not be used. Always wear protective gloves and stay clear of cutting blades.**

When possible, locate the field cuts away from the weather. If a roof panel has to be trimmed to length, trim the top of the panel, where the cut will be hidden from the weather with a ridge flashing. When it is necessary to cut an eave flashing to length, put the field cut end beneath the factory cut end of the adjacent section.



Remember to remove all metal shavings and/or filings created during field cutting or fastener installation from panels and flashings each day to avoid the development of rust.

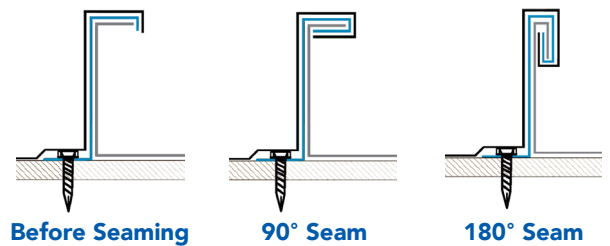


SEAMING METAL PANELS

Creating a standing seam requires special seaming tools including hand crimpers, tongs or electrical (mechanical) seaming devices. Installed clips are bent and formed along with the panels when seams are formed. Typically, a hand crimper is used to begin a seam. This is followed with seaming the full length of roof panels with an electric seaming machine.

Seam Types: PeakMax mechanical seam panels can be seamed at 90° or 180°. The specific design and requirements of your project will govern which seam type is required. Both seam types may be required on different areas of the same project. Always refer to your project's drawings to determine the required seam type and location.

Typical Standing Seam Panel Seams



Seaming Instructions: A 90° seam requires seaming the roof panel with a 90° hand crimper at the eave, ridge end of the roof panel, and at the end laps. This is followed with seaming the full length of roof panels with an electric seaming machine. A 180° seam requires a roof panel to have already been seamed or hand crimped with a 90° hand crimper. Installers are responsible for proper seaming of metal roofing panels in accordance with the erection drawings and good engineering and construction practices. Consult the manufacturer instructions for your specific seaming equipment for proper use and all seaming instructions.

When Installing/Seaming Panels, Remember the Following:

- **Before fastening clip to substrate, always check to ensure vertical leg of the clip is tight and aligned to vertical leg of the panel. Failure to keep this leg tight to the panel leg will lead to improper installation and compromise of the panel system. See Exhibit 1 on page 21.**
- **Clamp panel seam together at both ends to hold the panel in place. Long panels may require one or more clamps in the middle.**
- **Panels should be hand crimped at each clip location as they are installed to provide temporary wind resistance.**
- **Fully seam panels with electric seamer as quickly as possible after a section of the roof is completed.**
- **Seamer operation should be closely supervised at all times and follow all manufacturer instructions and safety procedures for your specific seaming equipment.**



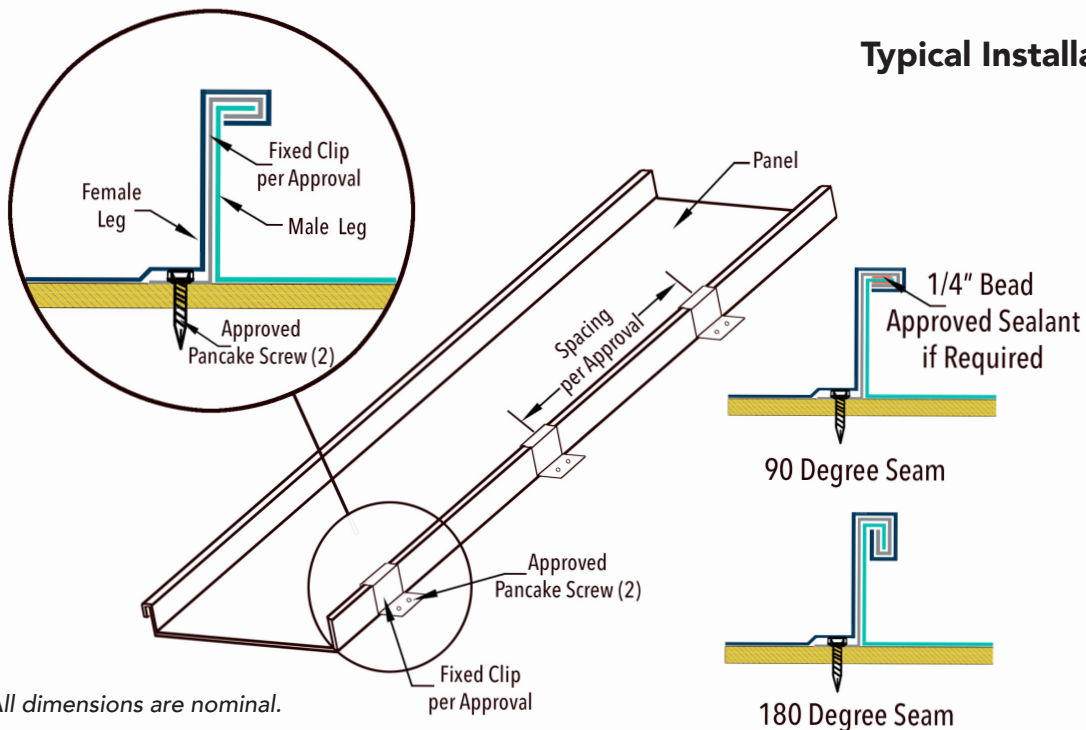
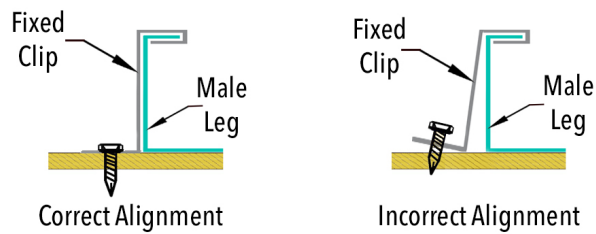


CLIP AND FASTENER PATTERNS

PeakMax panel installation relies primarily on special clips, hidden (pancake) fasteners and cleats. Clips work to fasten metal panels together by creating seams, while hidden fasteners help to create a clean uninterrupted look to panels. *Refer to Seaming Metal Panels on page 20 for important information about seaming.* Cleats are typically used along the roof edge and areas of trim, flashing and gutter installations. Some installations also require the use of approved sealant in seams, and other locations. Clip, fastener, and cleat types, quantity and spacing, as well as any required sealants should be installed per product approvals and building codes governing the project's jurisdiction. **Note: Impact drivers are not recommended as they may overdrive or damage the fastener.**

Exhibit 1 Panel Clip Installation

Before fastening each clip to substrate, always check to ensure clip's vertical leg is tight and aligned to the vertical leg of the panel.



! Actual clip and fastener pattern may vary from the pattern shown based on the specific roof plan, metal type and strength, local building codes and product approvals.



HEM LENGTHS AND THERMAL MOVEMENT

A standing seam roof panel experiences changes in panel length with changes in panel temperature. A panel must be fixed at one end and allowed to expand and contract on the other end. If the panel end that is not fixed incorporates a hemmed detail, allowance must be made for the panel to move. The length of the hem will vary according to the anticipated temperature range, the length of the panel, and the type of metal. The example and table shown in *Exhibit 2* can be used as a guideline. If more stringent analysis is required, a design professional should be consulted.

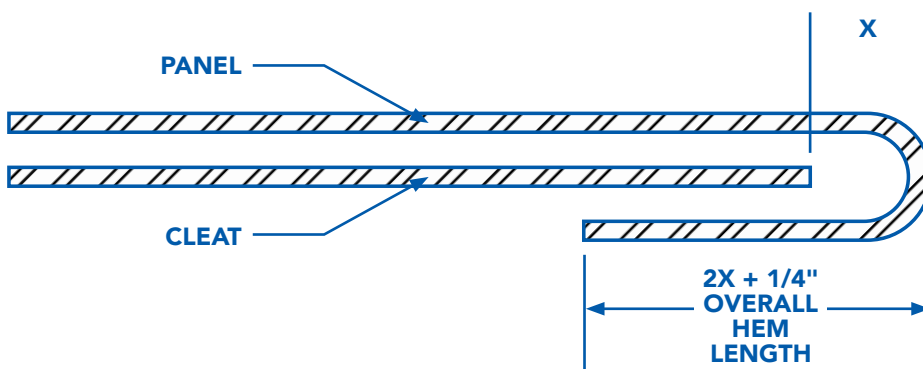


Exhibit 2 Thermal Movement Table¹

PANEL/SUBSTRATE	10 FEET	50 FEET	100 FEET	REQUIRED AIR SPACE (X)
Aluminum Over Rigid Insulation	3/16"	7/8"	1-9/16"	
Aluminum Over Wood Deck	3/16"	11/16"	1-3/8"	
Aluminum Over Steel Deck	1/8"	5/8"	1-3/16"	
Aluminum Over Concrete Deck	1/8"	5/8"	1-1/4"	
Steel Over Rigid Insulation	1/8"	1/2"	7/8"	
Steel Over Wood Deck	1/16"	3/8"	5/8"	
Steel Over Steel Deck	1/16"	3/8"	5/8"	
Steel Over Concrete Deck	1/16"	3/8"	1/2"	

¹Assumption: Panel Temperature change of 100°F and substrate temperature change of 50°F.

!

When Installing Panels, the Following are Required:

- Leave the correct gap between the end of the panel that is not fixed and the cleat.
- The hem should not be tight against the cleat.
- The lower edge of hem should not contact any flashings when the panels contract.
- All hems should be cut clean and crisp in a straight line, as these are visible from the underside, and should not be crimped tightly to the cleat.

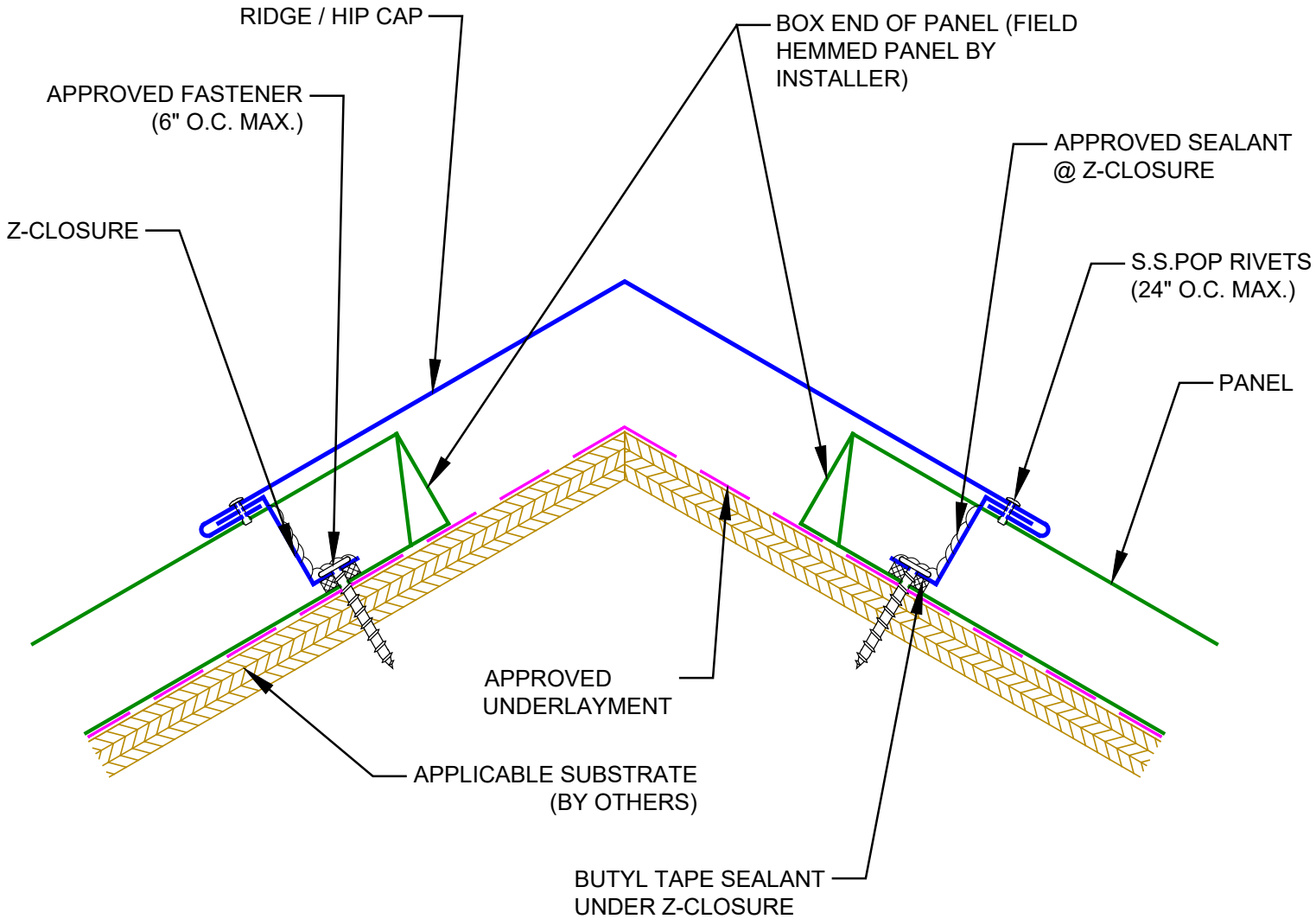
INSTALLATION DETAILS

The detail drawings in this guide are for a typical installation. **It is the installer's responsibility to determine and select the details and specifications that are appropriate for each project.** As the requirements of each project will vary, Extreme Metal Fabricators does not warrant the fitness or suitability of the following details for any specific project. **While EMF may provide advice on design and details, this is strictly limited to a manufacturer's recommendation, and does not guarantee code compliance or feasibility for use with a particular project.** If these services are required, the engagement of a design professional is recommended.

FIXED RIDGE/HIP

DETAIL NO. SS-RH1

NOT TO SCALE



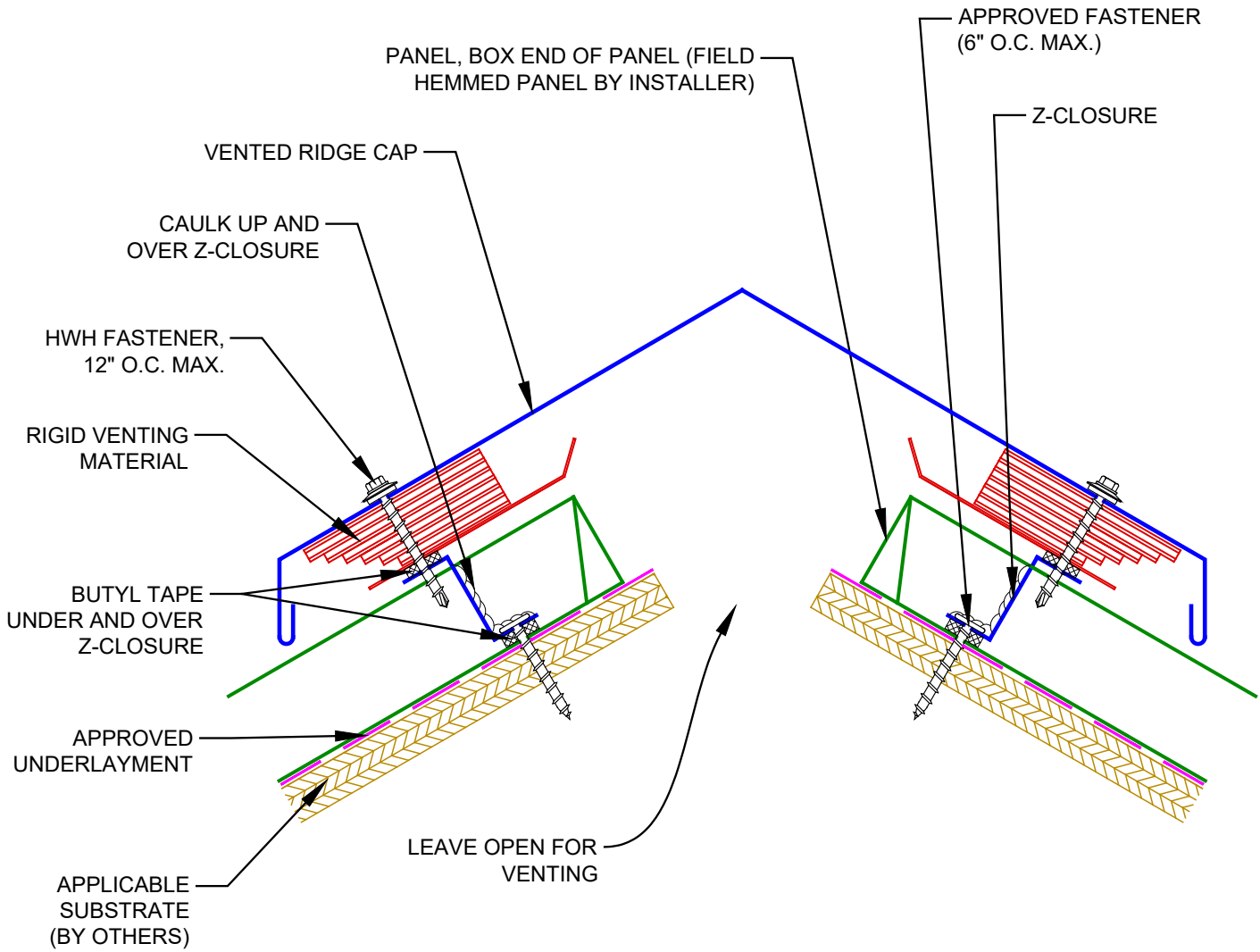
Rev. 10/2020

Copyright © 2020 by Extreme Metal Fabricators All rights reserved. No part of this document may be reproduced, distributed, or transmitted in any form or by any means, including photocopying, recording, or other electronic or mechanical methods, without the prior written permission of Extreme Metal Fabricators.

VENTED RIDGE

DETAIL NO. **SS-VR1**

NOT TO SCALE



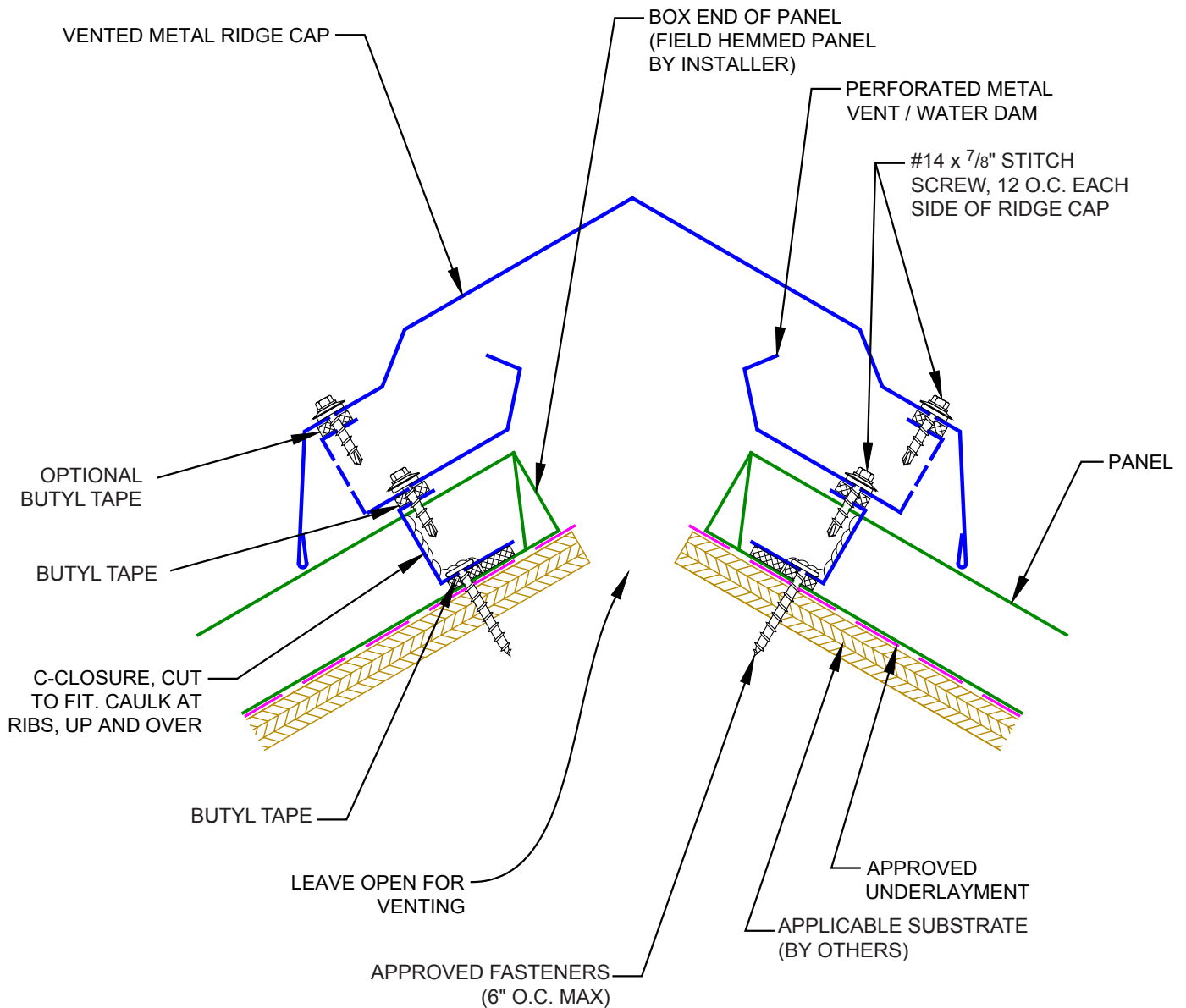
Rev. 10/2020

Copyright © 2020 by Extreme Metal Fabricators All rights reserved. No part of this document may be reproduced, distributed, or transmitted in any form or by any means, including photocopying, recording, or other electronic or mechanical methods, without the prior written permission of Extreme Metal Fabricators.

VENTED RIDGE PERFORATED METAL VENT

DETAIL NO. **SS-VR2**

NOT TO SCALE



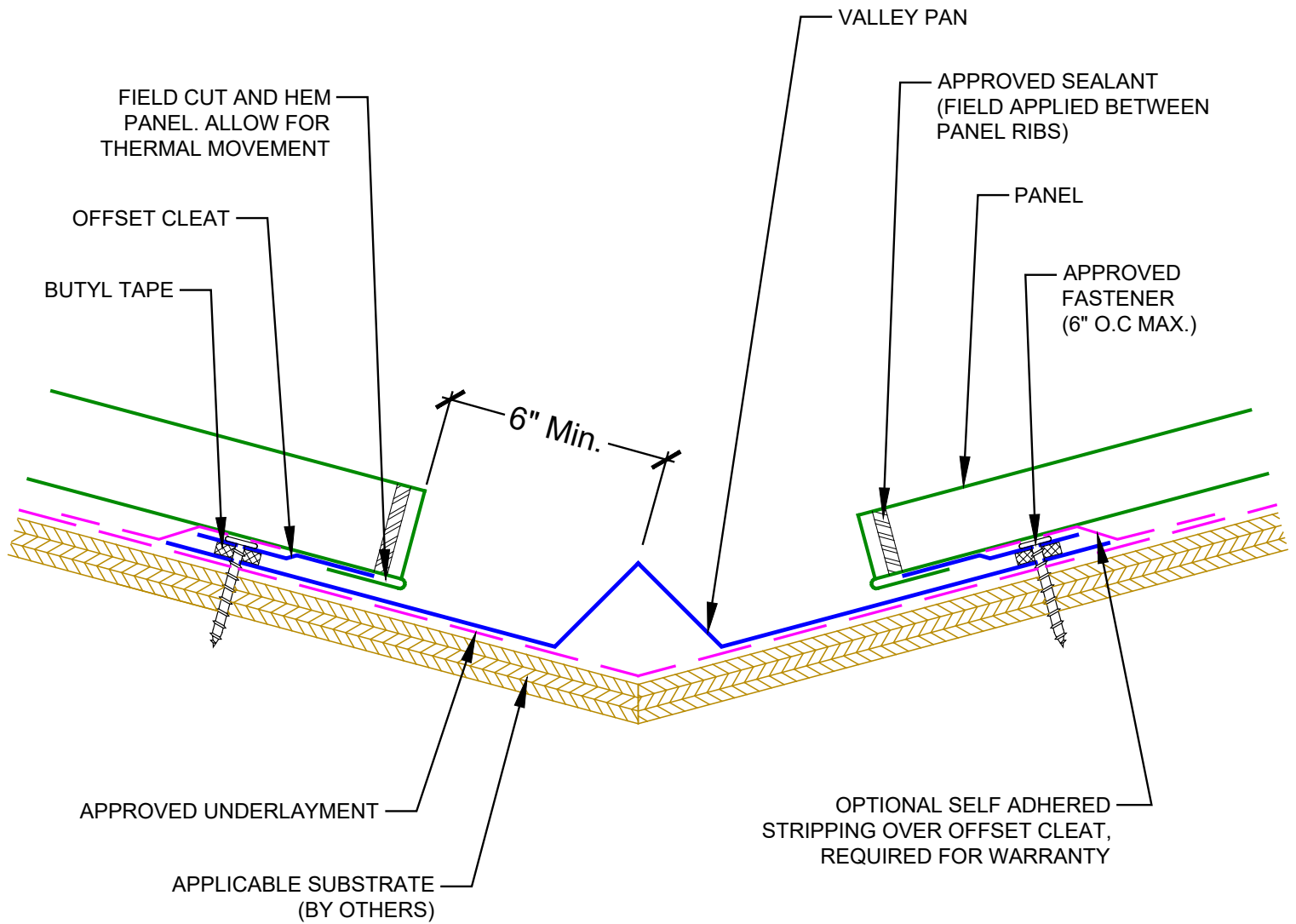
Rev. 10/2020

Copyright © 2020 by Extreme Metal Fabricators All rights reserved. No part of this document may be reproduced, distributed, or transmitted in any form or by any means, including photocopying, recording, or other electronic or mechanical methods, without the prior written permission of Extreme Metal Fabricators.

VALLEY WITH CLEAT

DETAIL NO. **SS-VF1**

NOT TO SCALE



NOTE: FLASHING LAPS IN VALLEY ARE 6" MIN. USE TWO ROWS OF APPROVED TUBE SEALANT IN ALL LAPS.

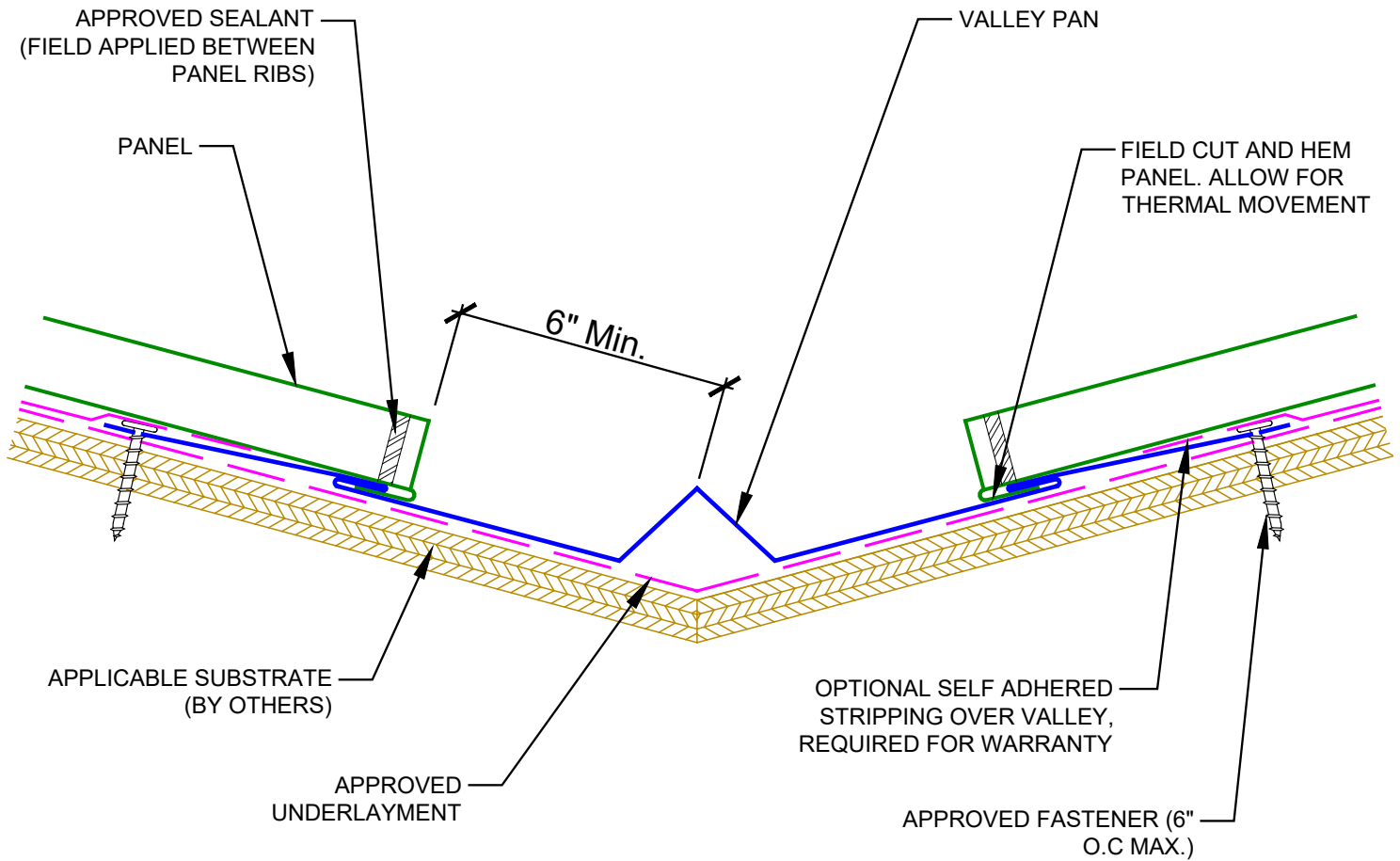
Rev. 10/2020

Copyright © 2020 by Extreme Metal Fabricators All rights reserved. No part of this document may be reproduced, distributed, or transmitted in any form or by any means, including photocopying, recording, or other electronic or mechanical methods, without the prior written permission of Extreme Metal Fabricators.

VALLEY 1-PIECE

DETAIL NO. **SS-VF2**

NOT TO SCALE



NOTE: FLASHING LAPS IN VALLEY ARE 6" MIN.
USE TWO ROWS OF APPROVED TUBE SEALANT IN ALL LAPS.

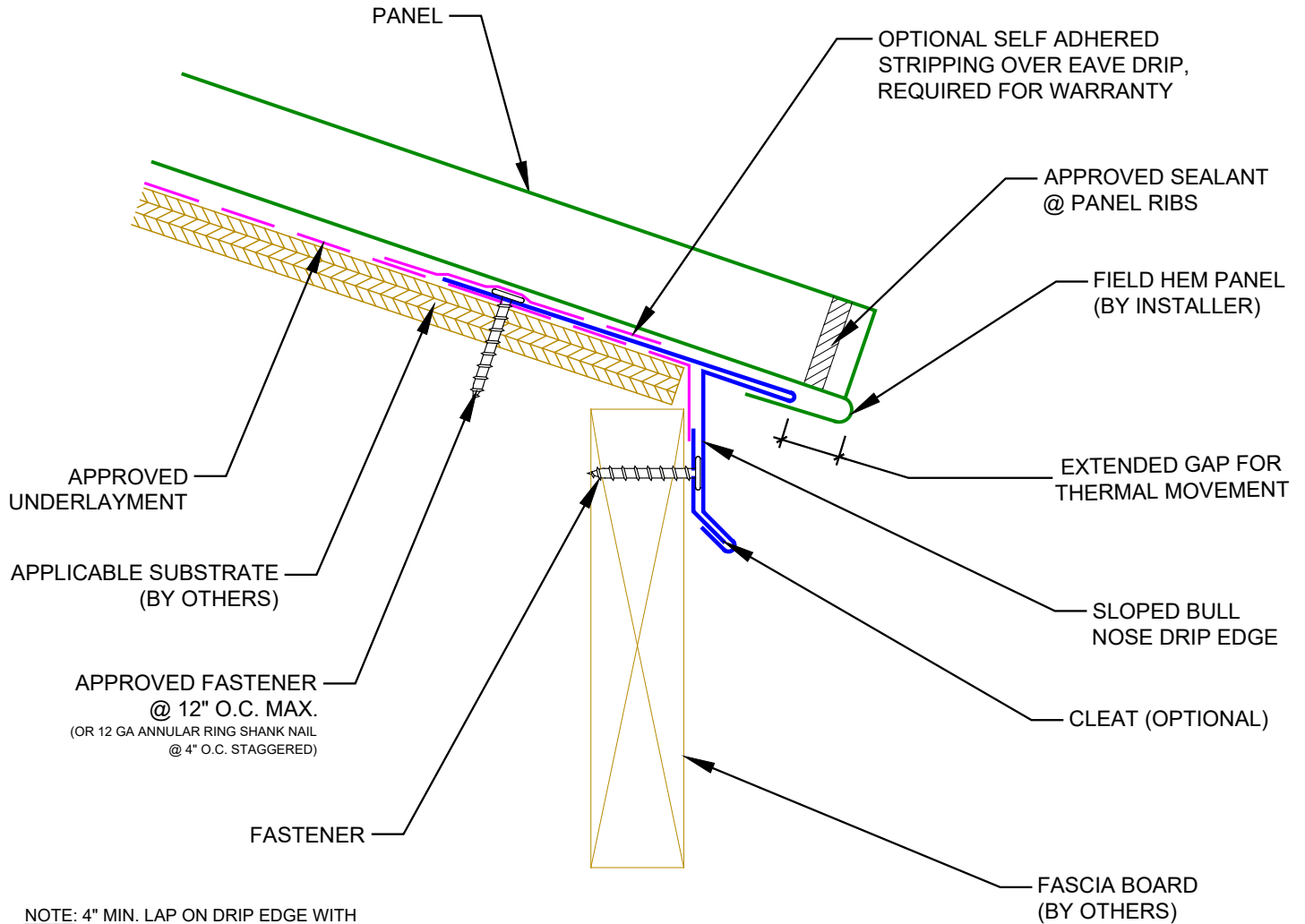
Rev. 10/2020

Copyright © 2020 by Extreme Metal Fabricators All rights reserved. No part of this document may be reproduced, distributed, or transmitted in any form or by any means, including photocopying, recording, or other electronic or mechanical methods, without the prior written permission of Extreme Metal Fabricators.

EAVE

DETAIL NO. **SS-ED1**

NOT TO SCALE



NOTE: 4" MIN. LAP ON DRIP EDGE WITH APPROVED SEALANT IN LAPS.

NOTE: PERIMETER CLEAT FASTENED WITH 12 GA. ANNULAR RING SHANK NAIL OR #10 DIAMETER SCREW, 10" O.C. AT PERIMETER ROOF AREAS AND 6" O.C. AT CORNER ROOF AREAS.

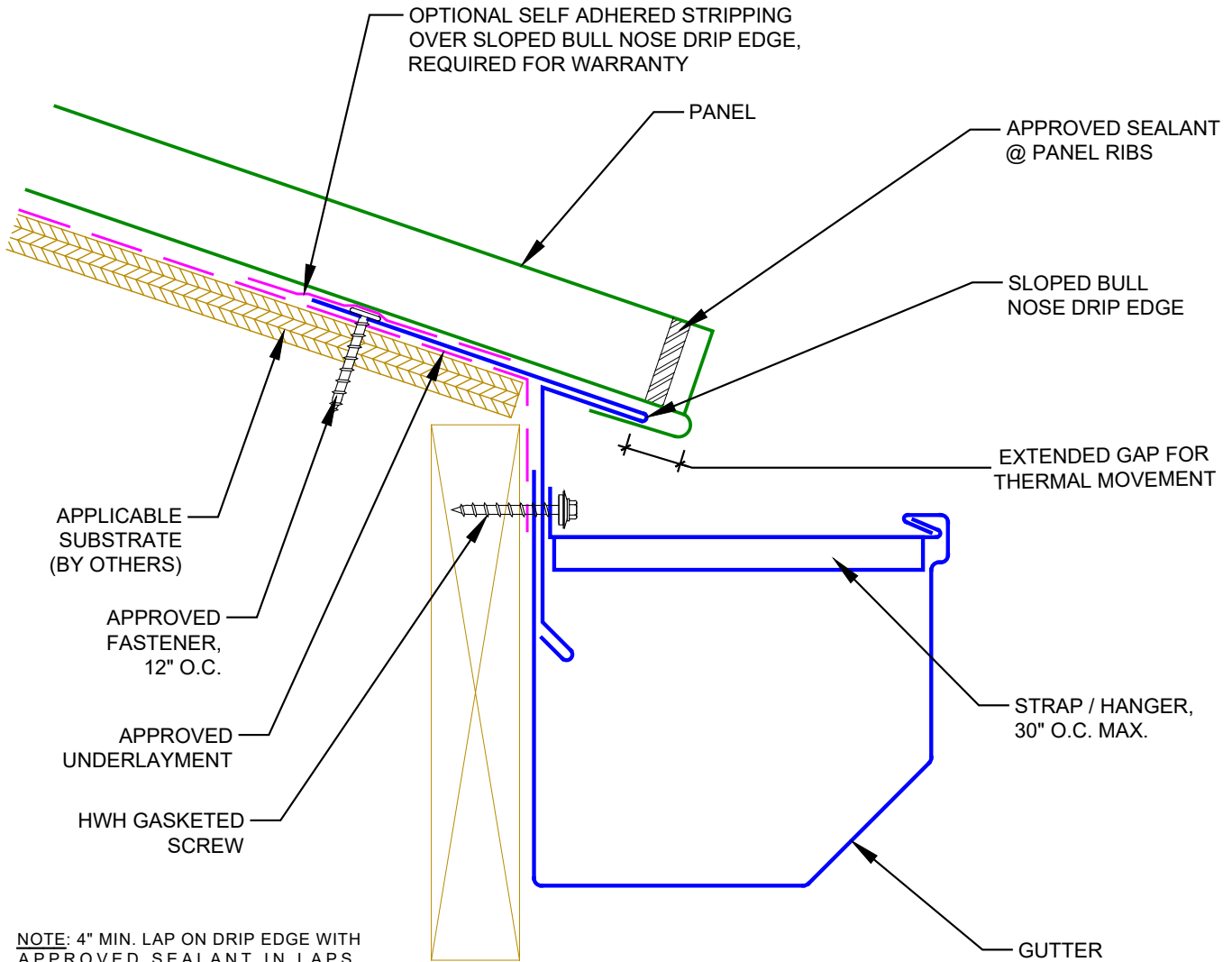
Rev. 10/2020

Copyright © 2020 by Extreme Metal Fabricators All rights reserved. No part of this document may be reproduced, distributed, or transmitted in any form or by any means, including photocopying, recording, or other electronic or mechanical methods, without the prior written permission of Extreme Metal Fabricators.

EAVE WITH GUTTER

DETAIL NO. **SS-EG1**

NOT TO SCALE



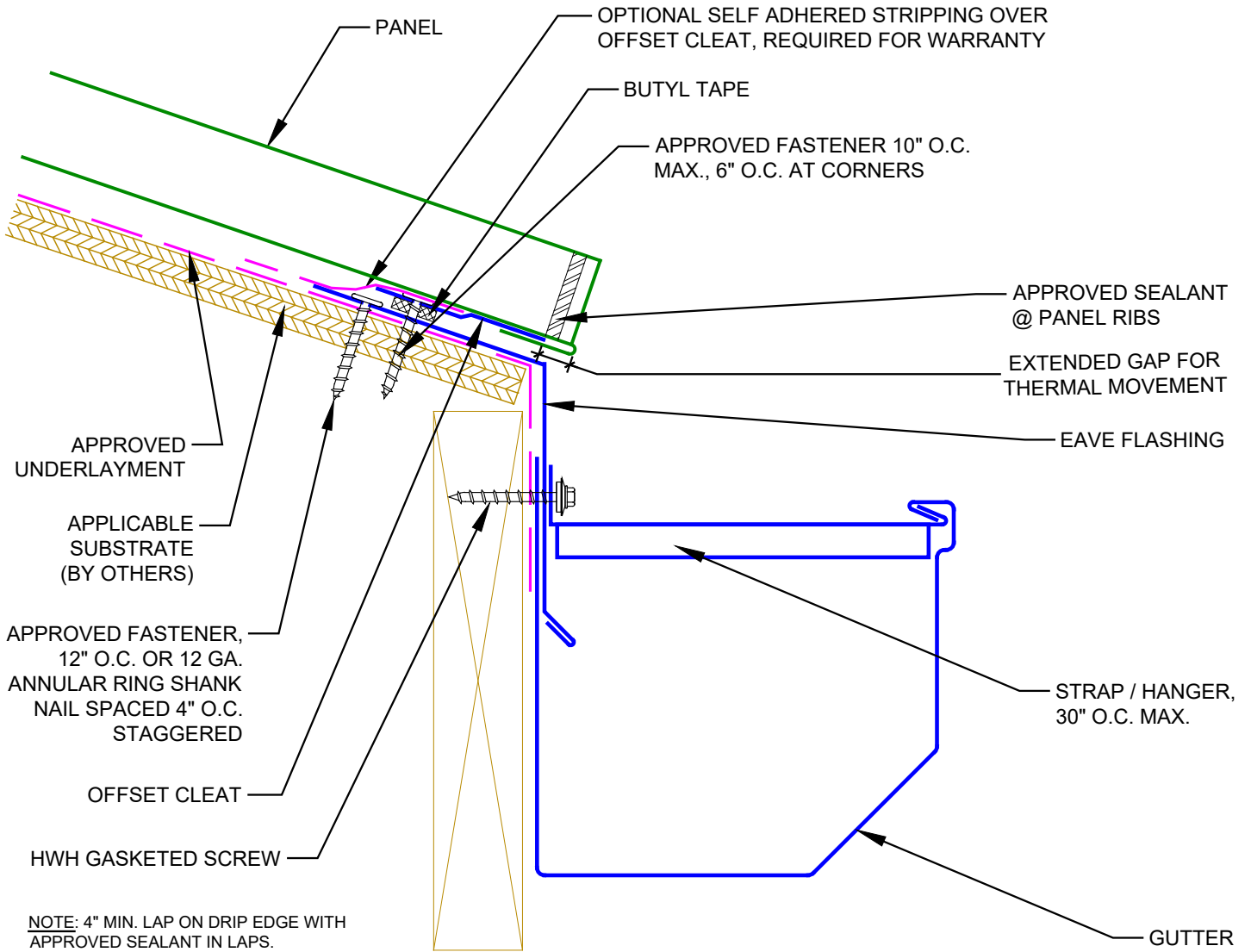
Rev. 10/2020

Copyright © 2020 by Extreme Metal Fabricators All rights reserved. No part of this document may be reproduced, distributed, or transmitted in any form or by any means, including photocopying, recording, or other electronic or mechanical methods, without the prior written permission of Extreme Metal Fabricators.

EAVE WITH GUTTER ALTERNATE

DETAIL NO. **SS-EG2**

NOT TO SCALE



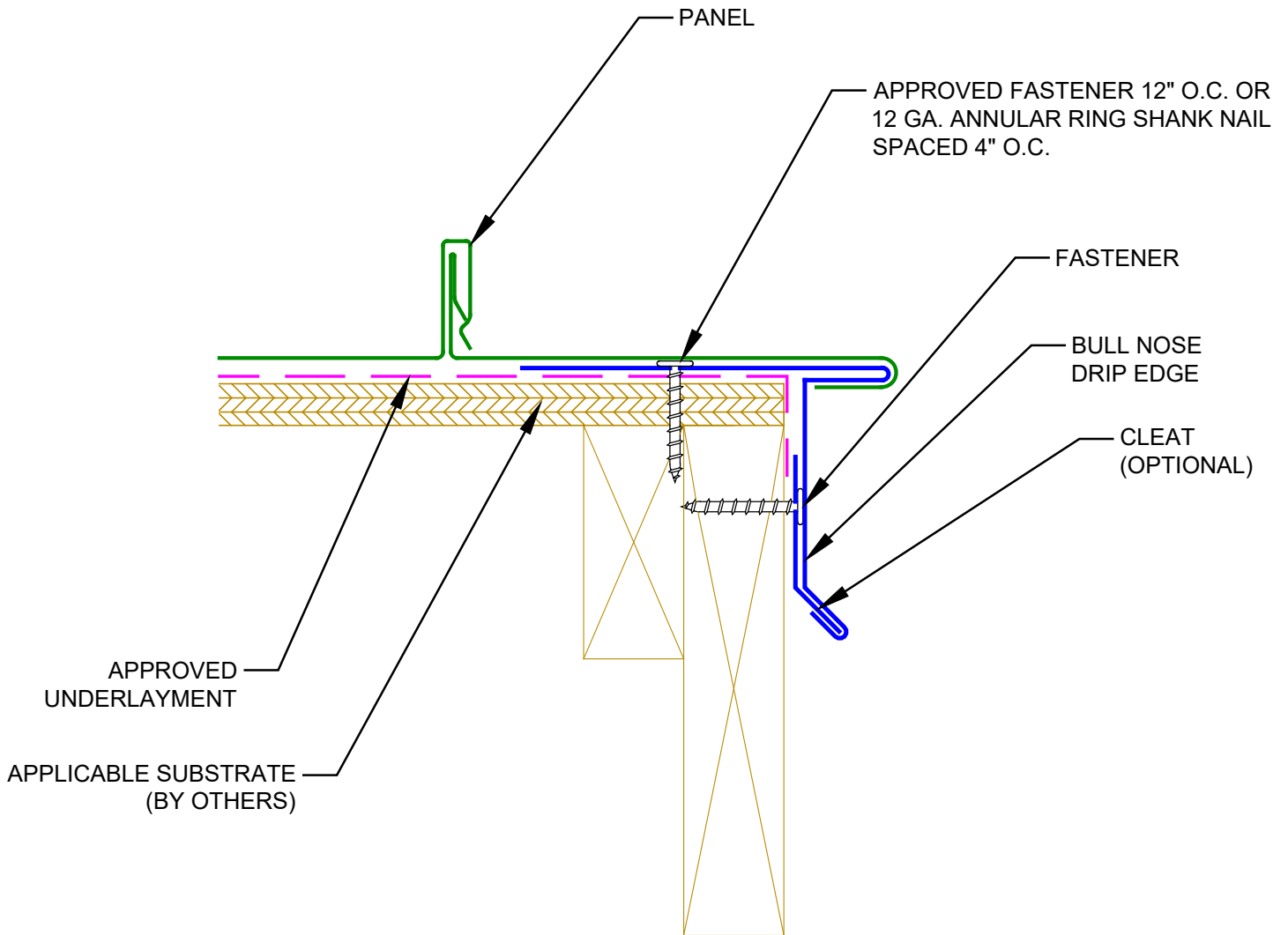
Rev. 10/2020

Copyright © 2020 by Extreme Metal Fabricators All rights reserved. No part of this document may be reproduced, distributed, or transmitted in any form or by any means, including photocopying, recording, or other electronic or mechanical methods, without the prior written permission of Extreme Metal Fabricators.

HEMMED RAKE/GABLE

DETAIL NO. **SS-GR1**

NOT TO SCALE



NOTE: 4" MIN. LAP ON RAKE DRIP EDGE WITH APPROVED SEALANT IN LAPS.

NOTE: PERIMETER CLEAT FASTENED WITH 12 GA. ANNULAR RING SHANK NAIL OR #10 DIAMETER SCREW, 10" O.C. AT PERIMETER ROOF AREAS AND 6" O.C. AT CORNER ROOF AREAS.

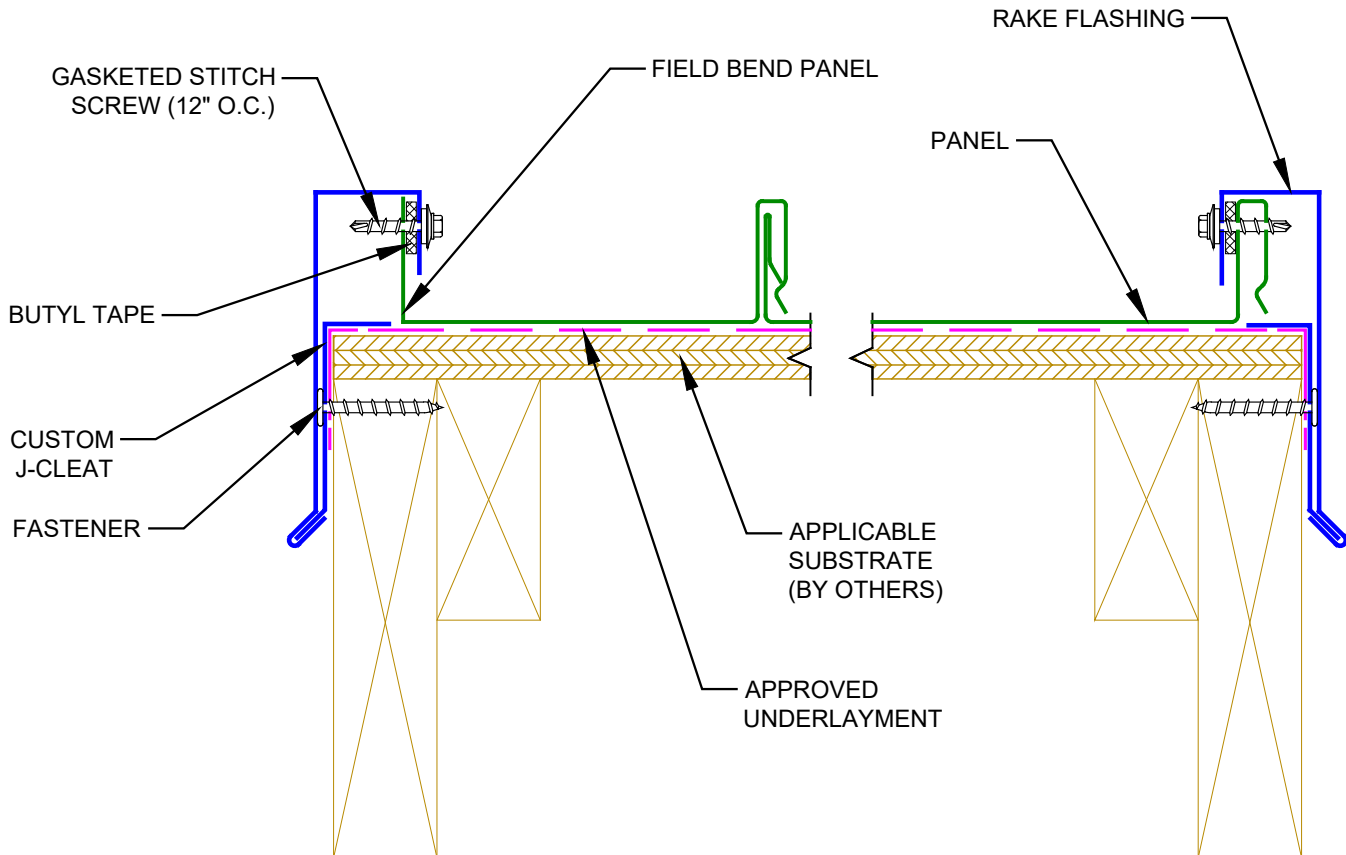
Rev. 10/2020

Copyright © 2020 by Extreme Metal Fabricators All rights reserved. No part of this document may be reproduced, distributed, or transmitted in any form or by any means, including photocopying, recording, or other electronic or mechanical methods, without the prior written permission of Extreme Metal Fabricators.

FLOATING RAKE/GABLE

DETAIL NO. **SS-GR2**

NOT TO SCALE



NOTE: 4" MIN. LAP ON RAKE DRIP EDGE WITH APPROVED SEALANT IN LAPS.

NOTE: PERIMETER CLEAT FASTENED WITH 12 GA. ANNULAR RING SHANK NAIL OR #10 DIAMETER SCREW, 10" O.C. AT PERIMETER ROOF AREAS AND 6" O.C. AT CORNER ROOF AREAS.

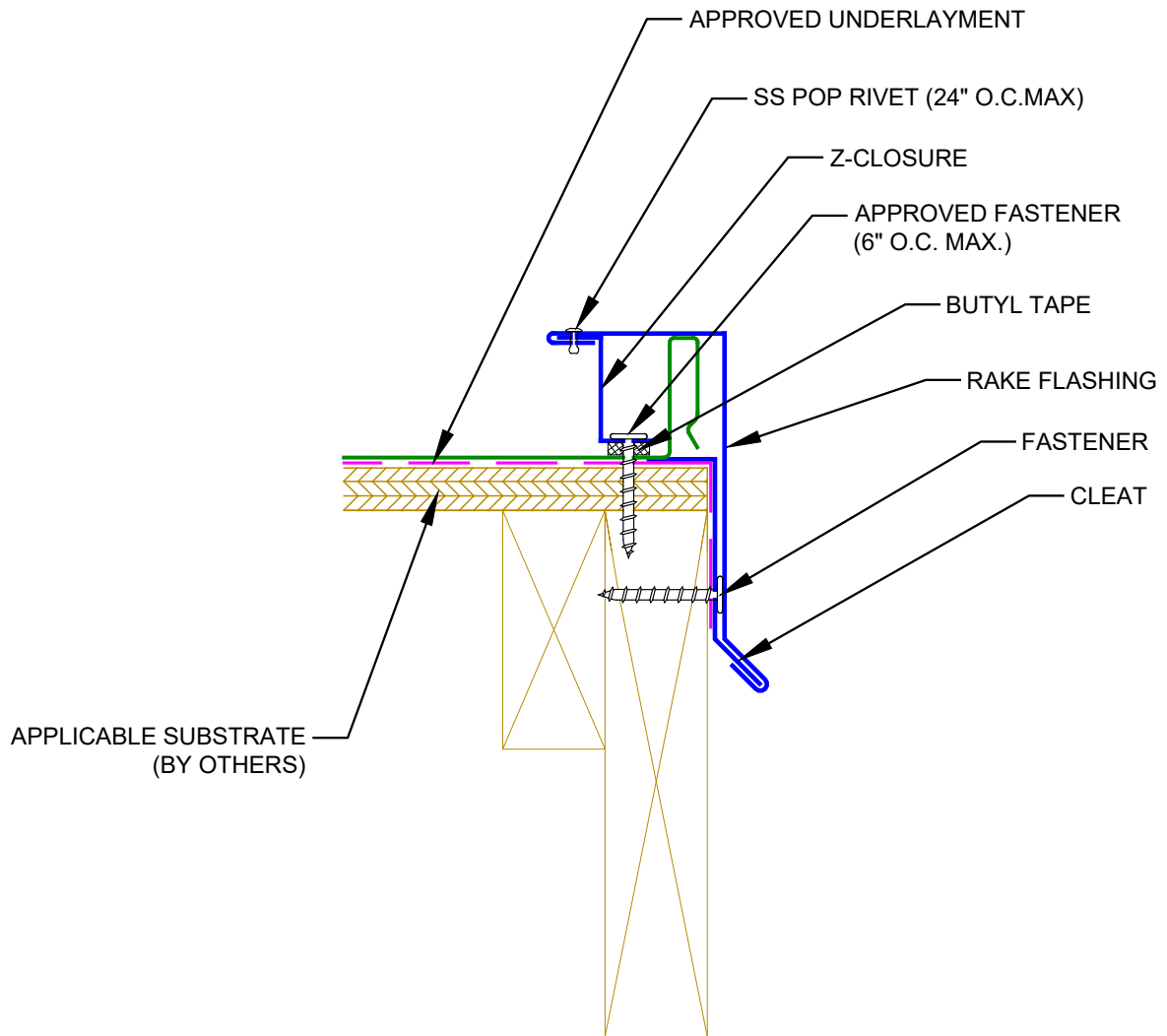
Rev. 10/2020

Copyright © 2020 by Extreme Metal Fabricators All rights reserved. No part of this document may be reproduced, distributed, or transmitted in any form or by any means, including photocopying, recording, or other electronic or mechanical methods, without the prior written permission of Extreme Metal Fabricators.

RAKE/GABLE

DETAIL NO. **SS-GR3**

NOT TO SCALE



NOTE: 4" MIN. LAP ON DRIP EDGE WITH APPROVED SEALANT IN LAPS.

NOTE: PERIMETER CLEAT FASTENED WITH 12 GA. ANNULAR RING SHANK NAIL OR #10 DIAMETER SCREW, 10" O.C. AT PERIMETER ROOF AREAS AND 6" O.C. AT CORNER ROOF AREAS.

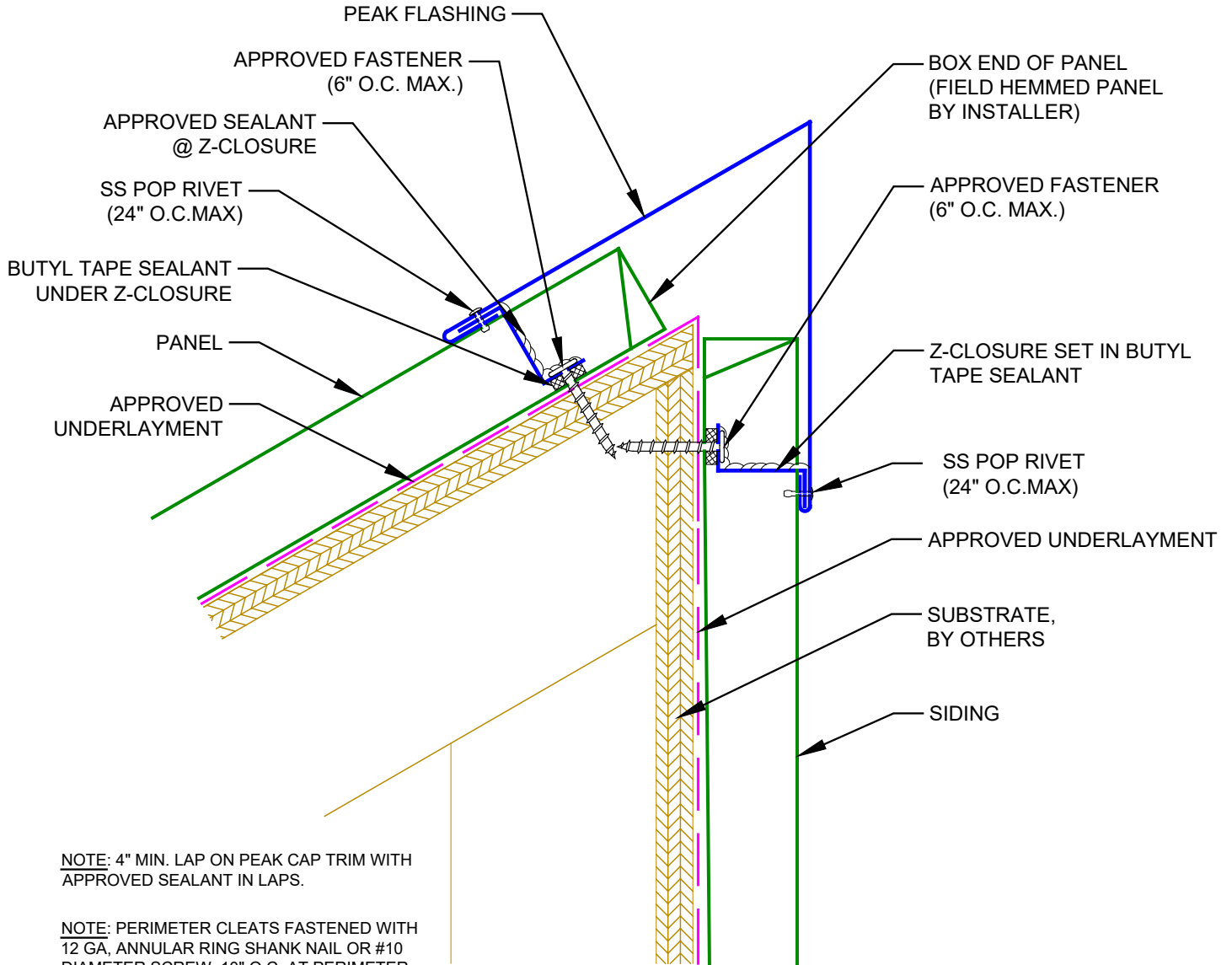
Rev. 10/2020

Copyright © 2020 by Extreme Metal Fabricators All rights reserved. No part of this document may be reproduced, distributed, or transmitted in any form or by any means, including photocopying, recording, or other electronic or mechanical methods, without the prior written permission of Extreme Metal Fabricators.

PEAK PANEL TO PANEL

DETAIL NO. **SS-PK1**

NOT TO SCALE



NOTE: 4" MIN. LAP ON PEAK CAP TRIM WITH APPROVED SEALANT IN LAPS.

NOTE: PERIMETER CLEATS FASTENED WITH 12 GA. ANNULAR RING SHANK NAIL OR #10 DIAMETER SCREW, 10" O.C. AT PERIMETER ROOF AREAS AND 6" O.C. AT CORNER ROOF AREAS.

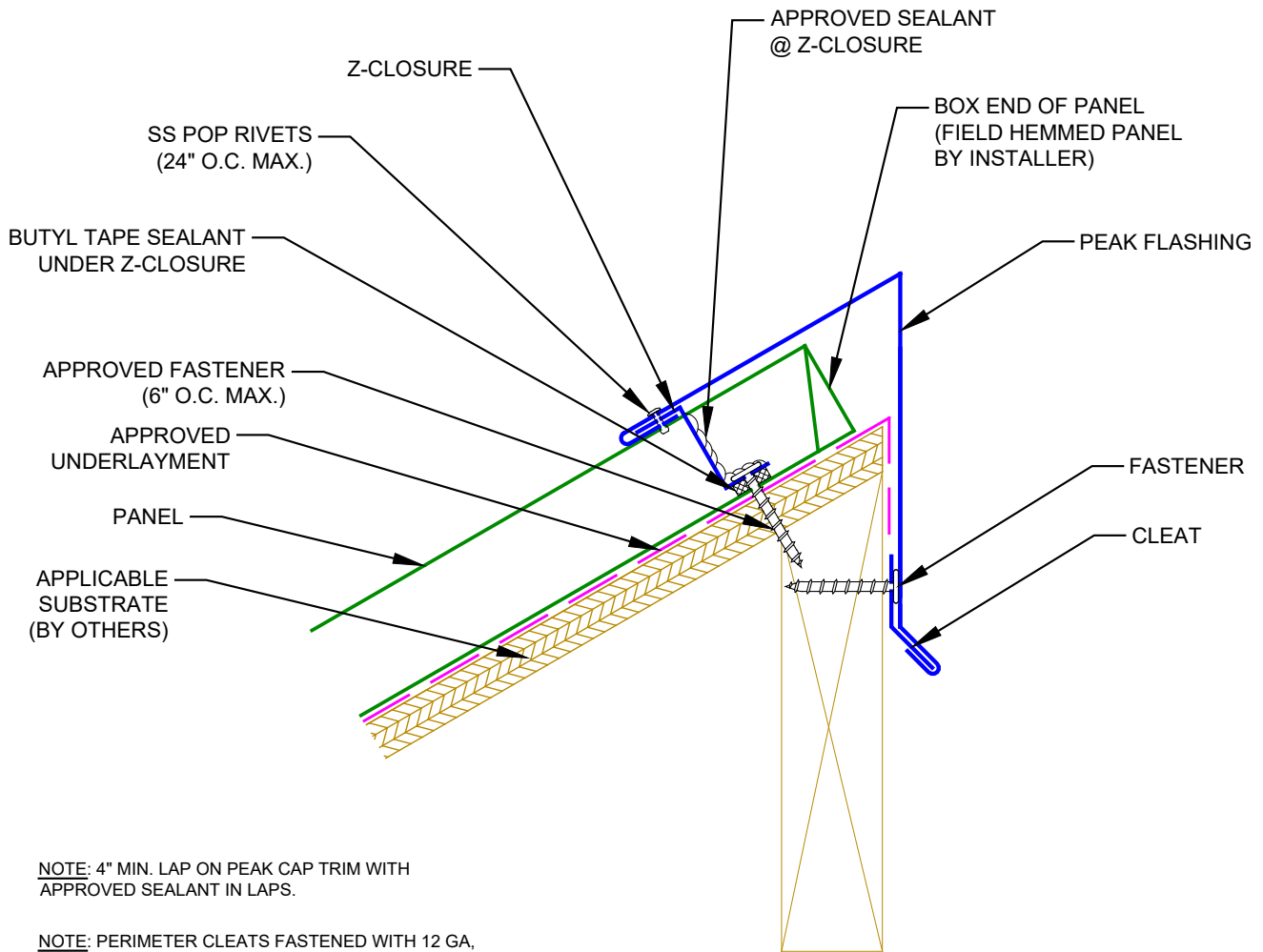
Rev. 10/2020

Copyright © 2020 by Extreme Metal Fabricators All rights reserved. No part of this document may be reproduced, distributed, or transmitted in any form or by any means, including photocopying, recording, or other electronic or mechanical methods, without the prior written permission of Extreme Metal Fabricators.

PEAK PANEL TO WALL

DETAIL NO. **SS-PK2**

NOT TO SCALE



NOTE: 4" MIN. LAP ON PEAK CAP TRIM WITH APPROVED SEALANT IN LAPS.

NOTE: PERIMETER CLEATS FASTENED WITH 12 GA, ANNULAR RING SHANK NAIL OR #10 DIAMETER SCREW, 10" O.C. AT PERIMETER ROOF AREAS AND 6" O.C. AT CORNER ROOF AREAS.

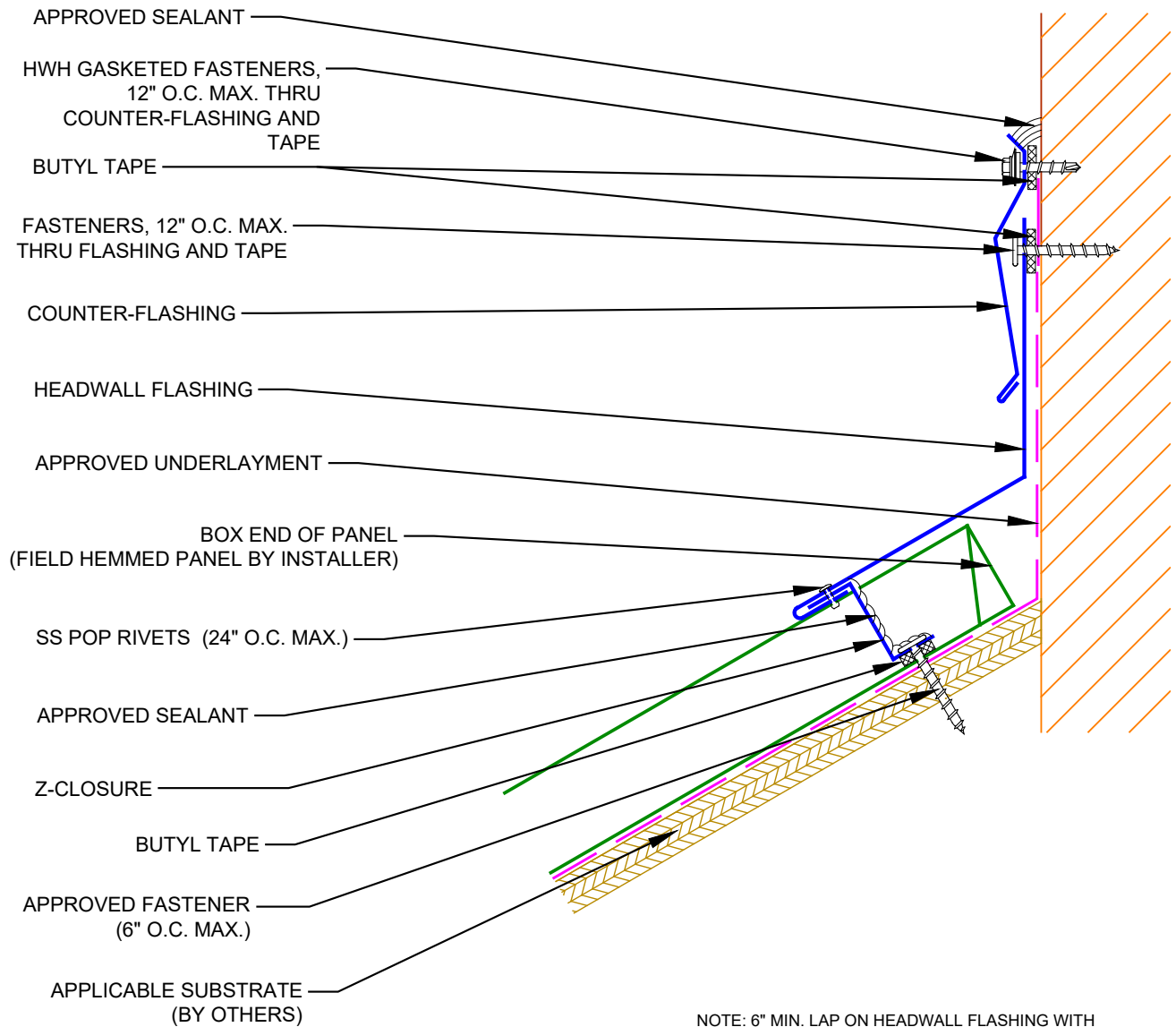
Rev. 10/2020

Copyright © 2020 by Extreme Metal Fabricators All rights reserved. No part of this document may be reproduced, distributed, or transmitted in any form or by any means, including photocopying, recording, or other electronic or mechanical methods, without the prior written permission of Extreme Metal Fabricators.

HEADWALL SURFACE MOUNT

DETAIL NO. **SS-HW1**

NOT TO SCALE



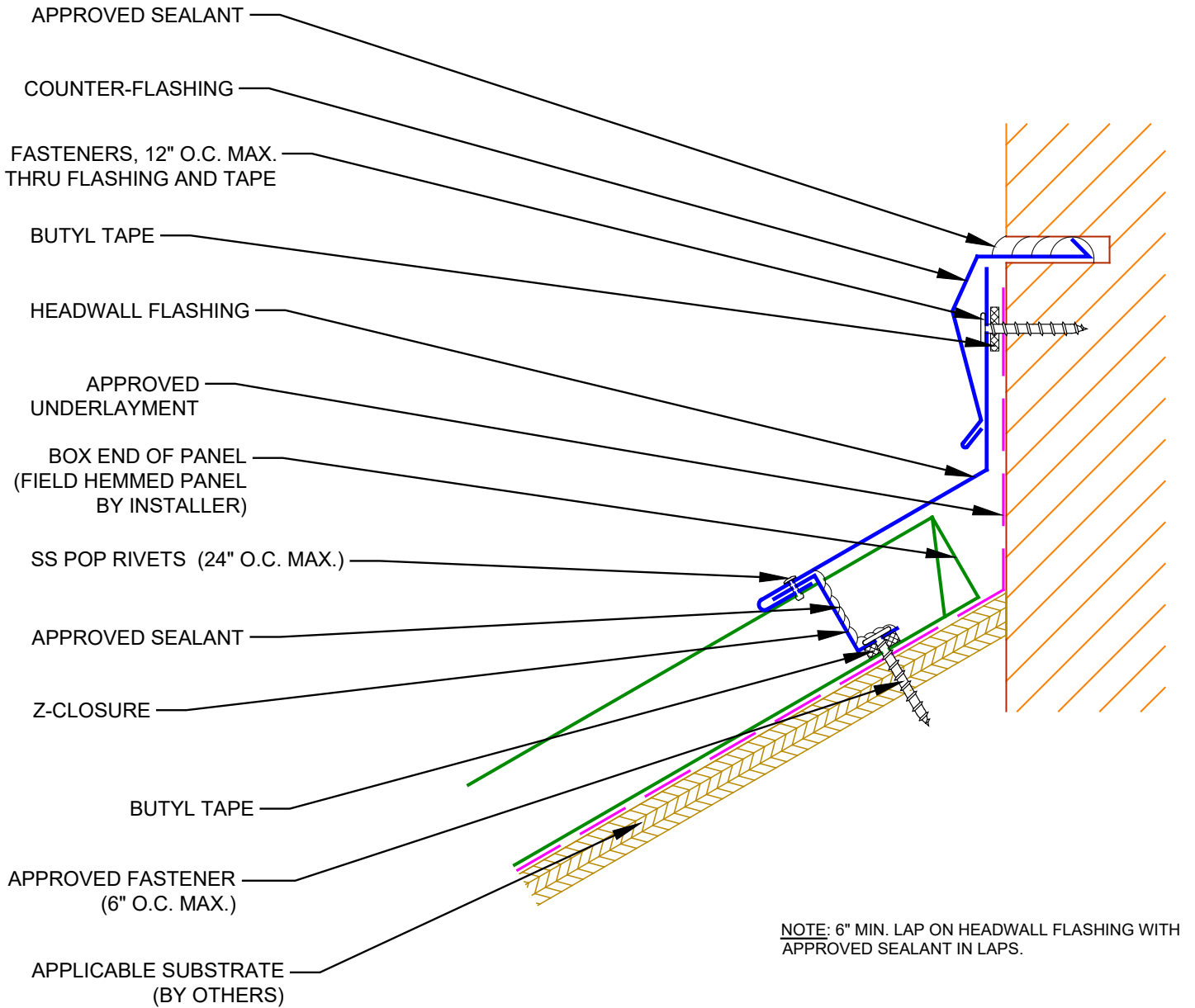
Rev. 10/2020

Copyright © 2020 by Extreme Metal Fabricators All rights reserved. No part of this document may be reproduced, distributed, or transmitted in any form or by any means, including photocopying, recording, or other electronic or mechanical methods, without the prior written permission of Extreme Metal Fabricators.

HEADWALL REGLET

DETAIL NO. **SS-HW2**

NOT TO SCALE



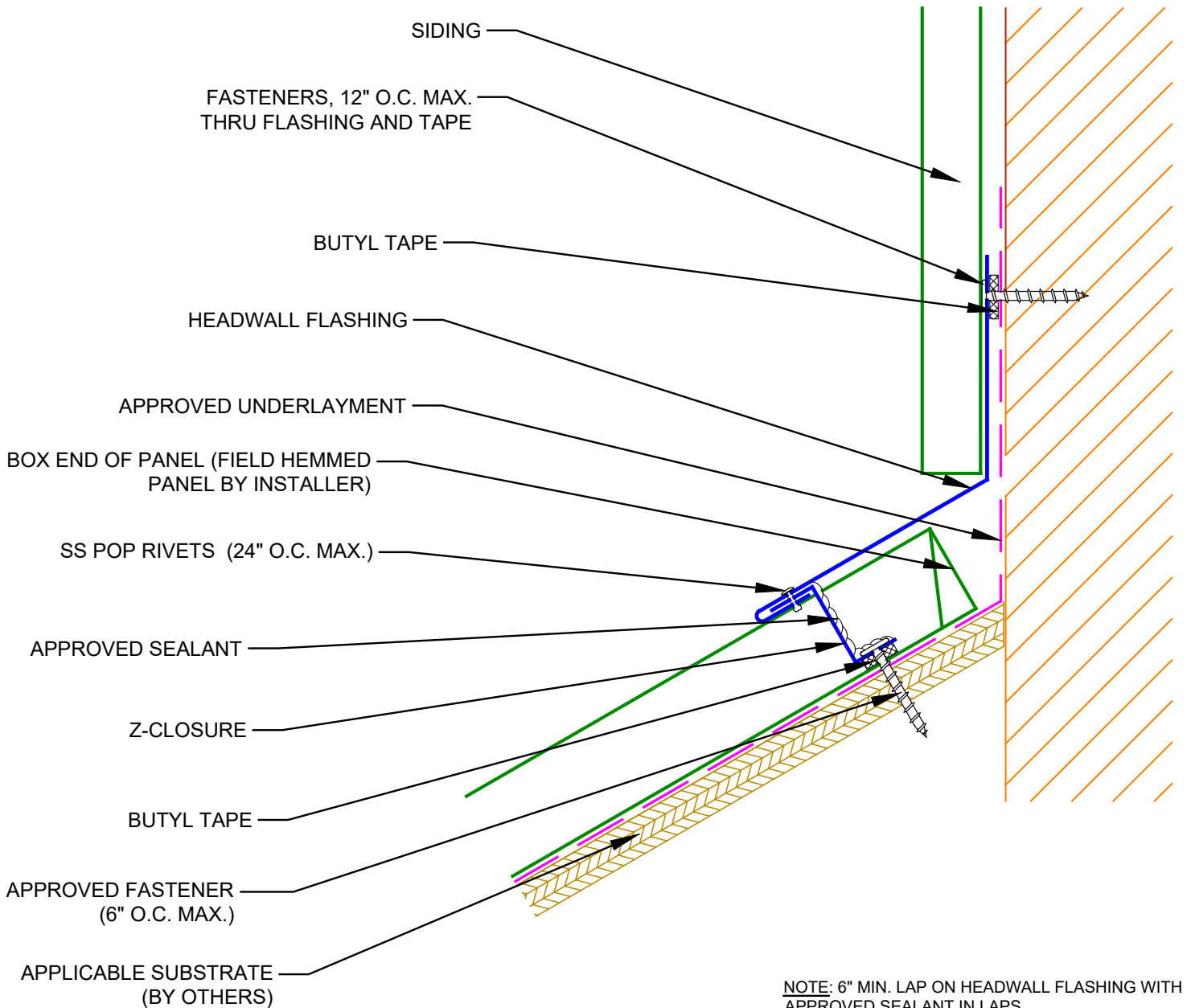
Rev. 10/2020

Copyright © 2020 by Extreme Metal Fabricators All rights reserved. No part of this document may be reproduced, distributed, or transmitted in any form or by any means, including photocopying, recording, or other electronic or mechanical methods, without the prior written permission of Extreme Metal Fabricators.

HEADWALL SIDING

DETAIL NO. **SS-HW3**

NOT TO SCALE



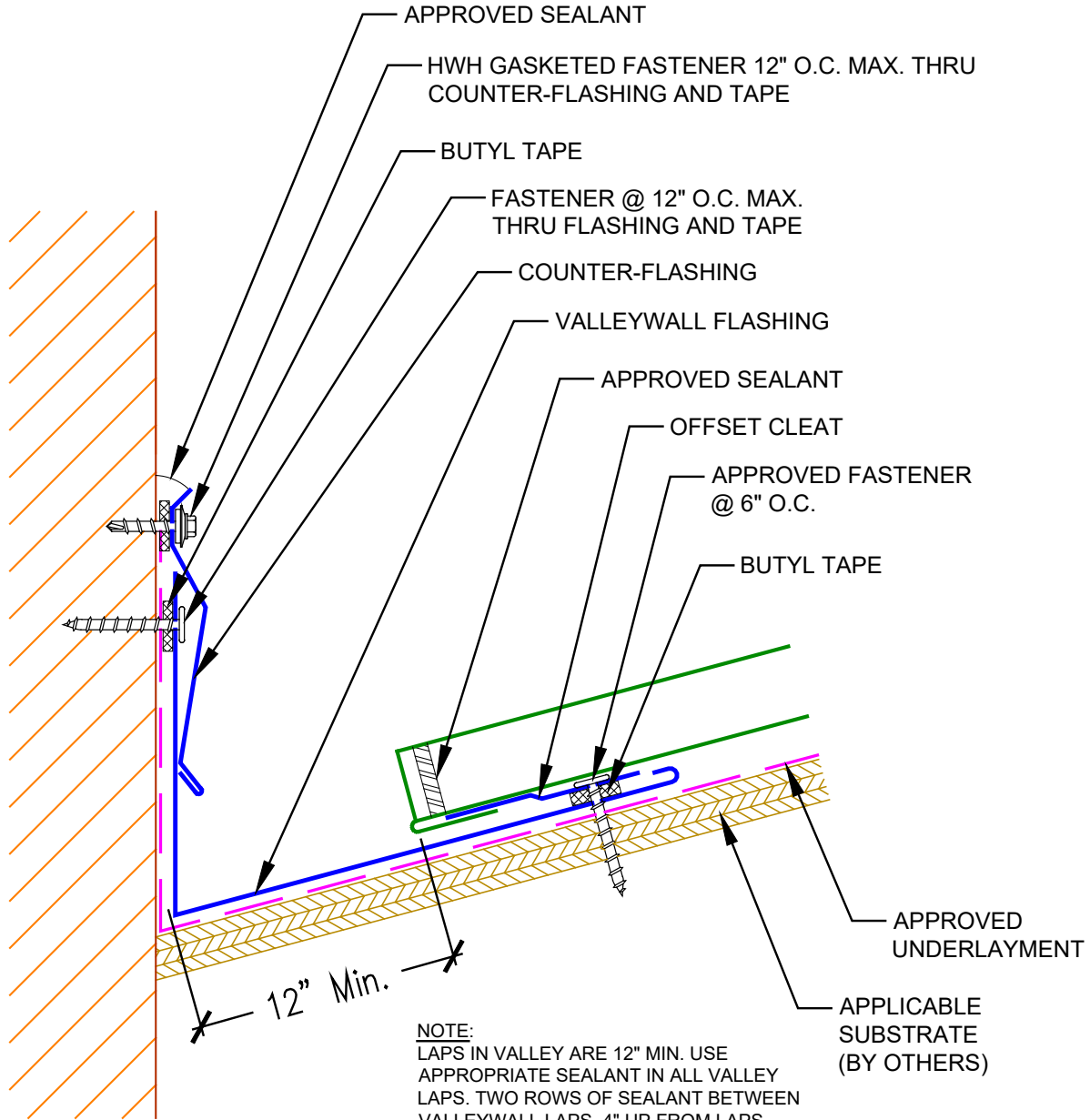
Rev. 10/2020

Copyright © 2020 by Extreme Metal Fabricators All rights reserved. No part of this document may be reproduced, distributed, or transmitted in any form or by any means, including photocopying, recording, or other electronic or mechanical methods, without the prior written permission of Extreme Metal Fabricators.

VALLEY WALL SURFACE MOUNT

DETAIL NO. **SS-VW1**

NOT TO SCALE



**SUFFICIENT SLOPE MUST BE PROVIDED FOR POSITIVE DRAINAGE.

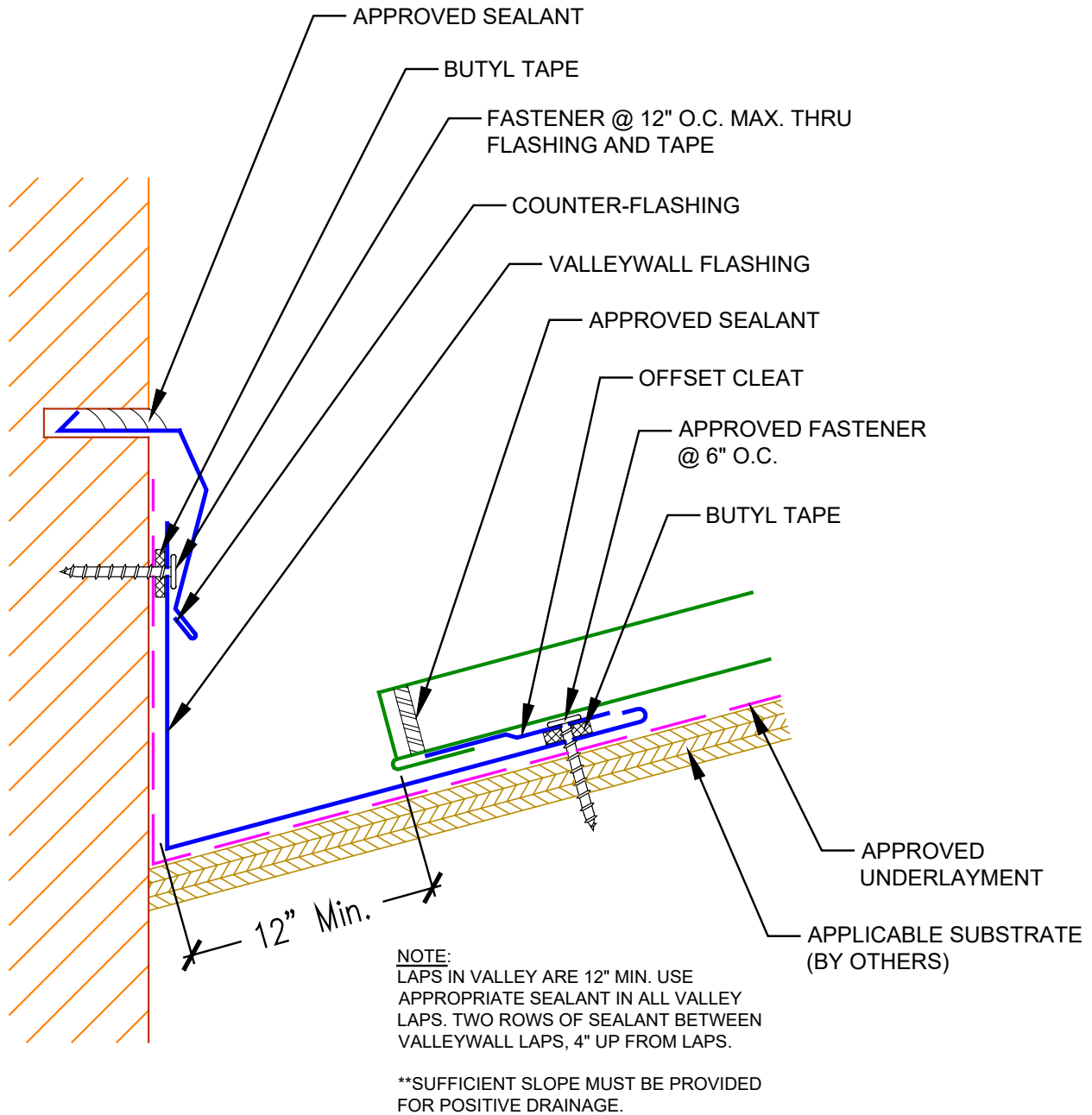
Rev. 10/2020

Copyright © 2020 by Extreme Metal Fabricators All rights reserved. No part of this document may be reproduced, distributed, or transmitted in any form or by any means, including photocopying, recording, or other electronic or mechanical methods, without the prior written permission of Extreme Metal Fabricators.

VALLEY WALL REGLET

DETAIL NO. **SS-VW2**

NOT TO SCALE



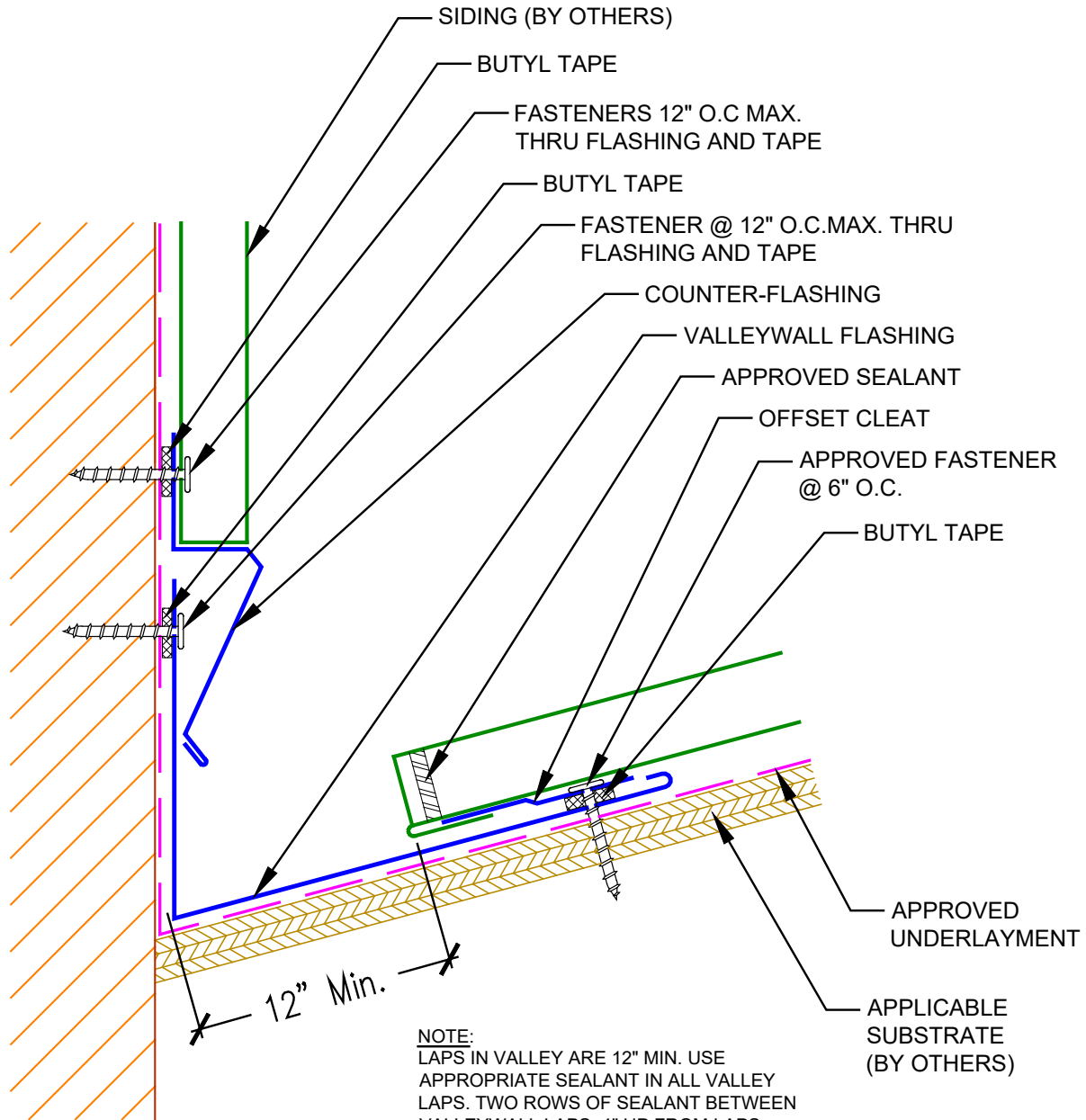
Rev. 10/2020

Copyright © 2020 by Extreme Metal Fabricators All rights reserved. No part of this document may be reproduced, distributed, or transmitted in any form or by any means, including photocopying, recording, or other electronic or mechanical methods, without the prior written permission of Extreme Metal Fabricators.

VALLEY WALL SIDING

DETAIL NO. **SS-VW3**

NOT TO SCALE



NOTE:
LAPS IN VALLEY ARE 12" MIN. USE APPROPRIATE SEALANT IN ALL VALLEY LAPS. TWO ROWS OF SEALANT BETWEEN VALLEYWALL LAPS, 4" UP FROM LAPS.

**SUFFICIENT SLOPE MUST BE PROVIDED FOR POSITIVE DRAINAGE.

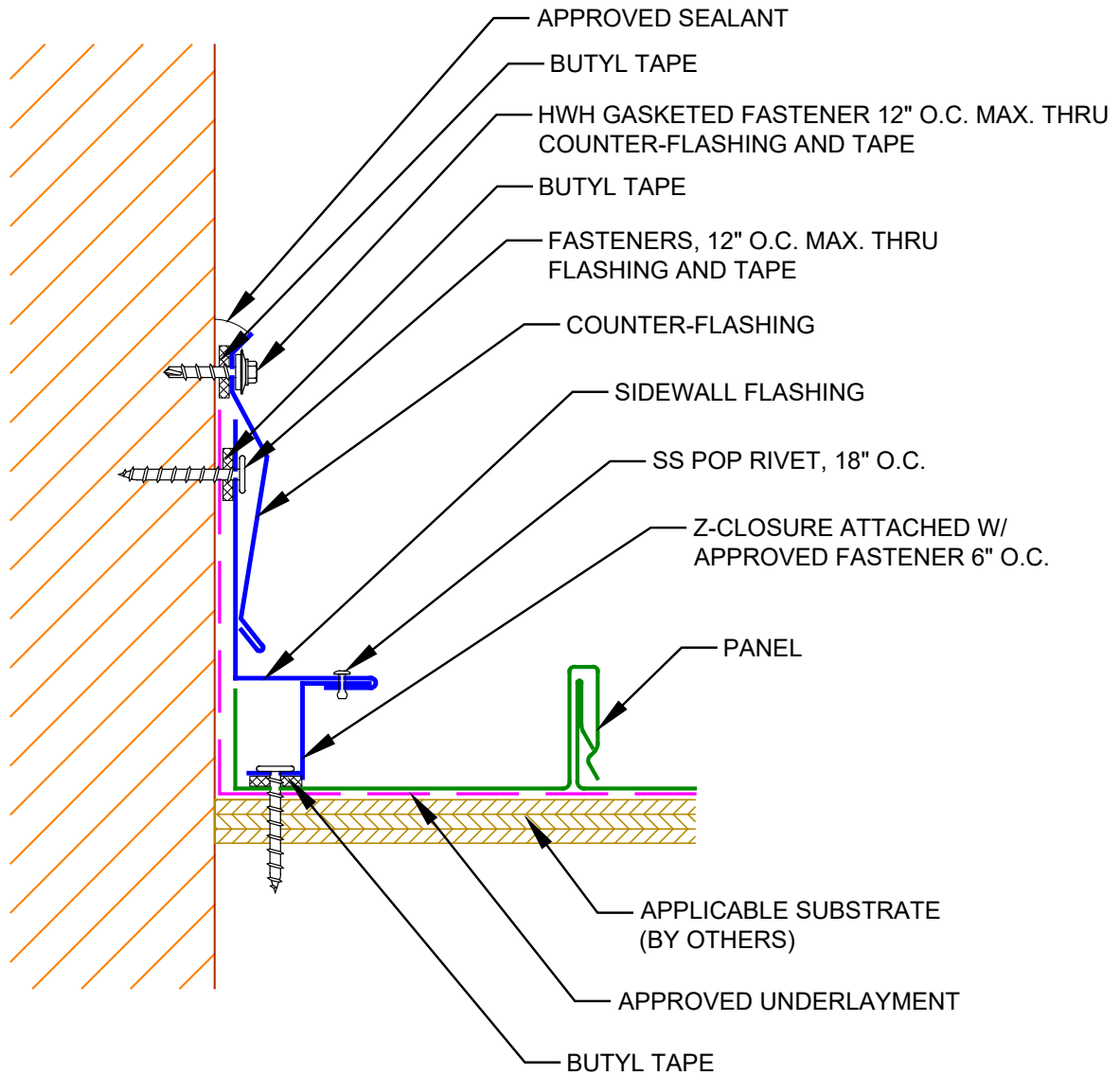
Rev. 10/2020

Copyright © 2020 by Extreme Metal Fabricators All rights reserved. No part of this document may be reproduced, distributed, or transmitted in any form or by any means, including photocopying, recording, or other electronic or mechanical methods, without the prior written permission of Extreme Metal Fabricators.

SIDEWALL SURFACE MOUNT

DETAIL NO. SS-SW1

NOT TO SCALE



NOTE: 6" MIN. LAP ON SIDEWALL FLASHING WITH APPROVED SEALANT IN LAPS.

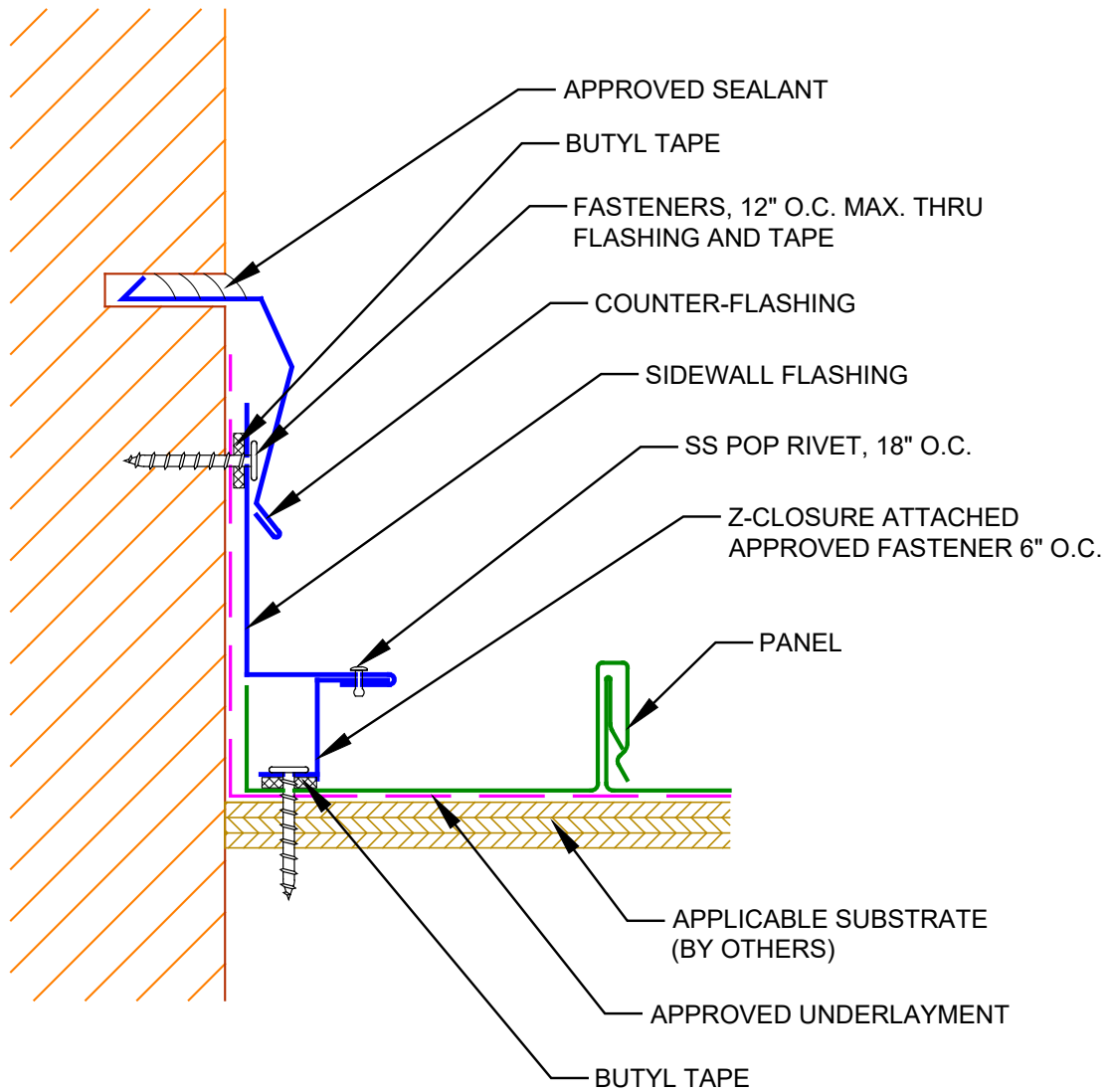
Rev. 10/2020

Copyright © 2020 by Extreme Metal Fabricators All rights reserved. No part of this document may be reproduced, distributed, or transmitted in any form or by any means, including photocopying, recording, or other electronic or mechanical methods, without the prior written permission of Extreme Metal Fabricators.

SIDEWALL REGLET

DETAIL NO. **SS-SW2**

NOT TO SCALE



NOTE: 6" MIN. LAP ON SIDEWALL FLASHING WITH APPROVED SEALANT IN LAPS.

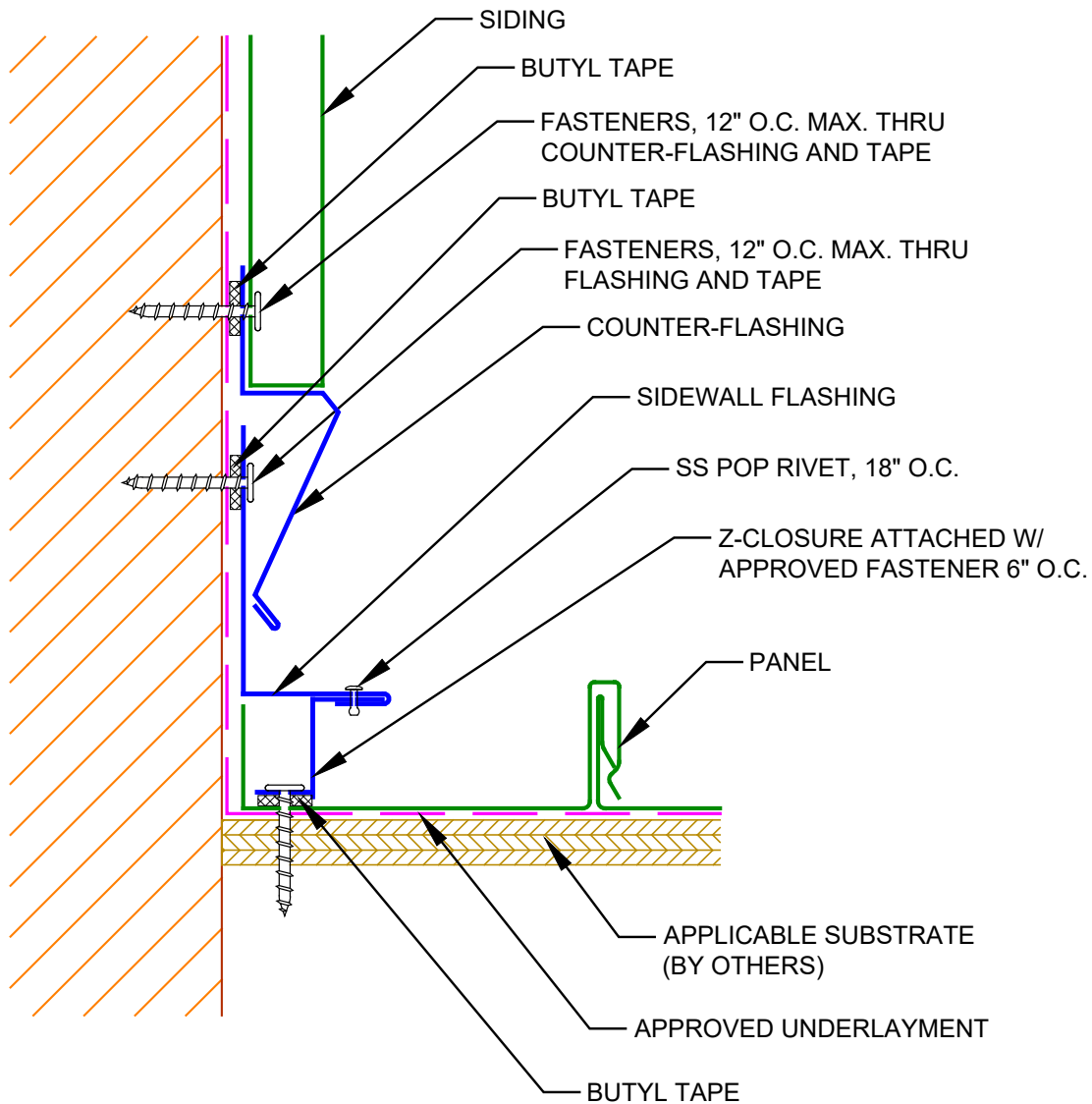
Rev. 10/2020

Copyright © 2020 by Extreme Metal Fabricators All rights reserved. No part of this document may be reproduced, distributed, or transmitted in any form or by any means, including photocopying, recording, or other electronic or mechanical methods, without the prior written permission of Extreme Metal Fabricators.

SIDEWALL SIDING

DETAIL NO. **SS-SW3**

NOT TO SCALE



NOTE: 6" MIN. LAP ON SIDEWALL FLASHING WITH APPROVED SEALANT IN LAPS.

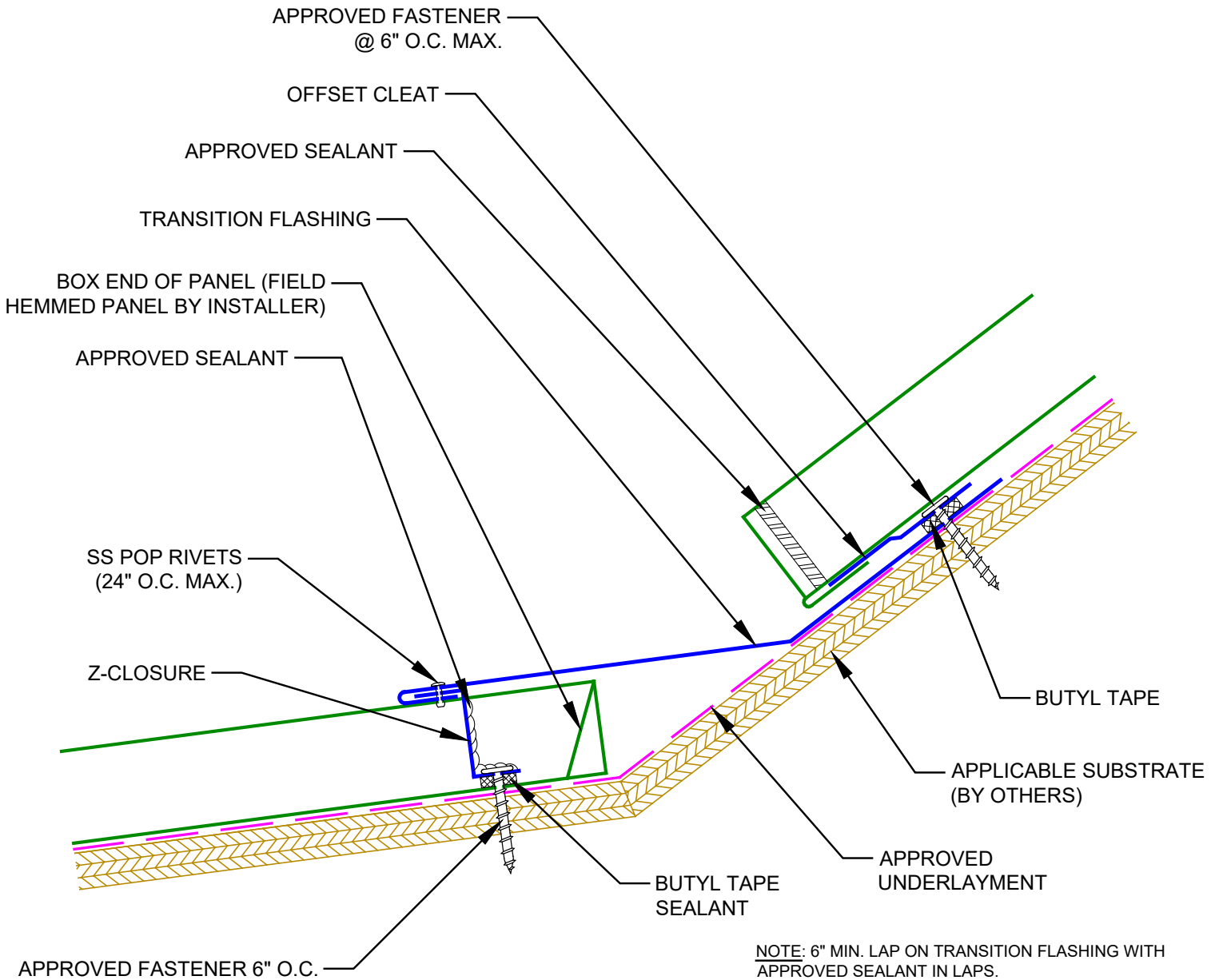
Rev. 10/2020

Copyright © 2020 by Extreme Metal Fabricators All rights reserved. No part of this document may be reproduced, distributed, or transmitted in any form or by any means, including photocopying, recording, or other electronic or mechanical methods, without the prior written permission of Extreme Metal Fabricators.

SLOPE TRANSITION

DETAIL NO. **SS-ST1**

NOT TO SCALE



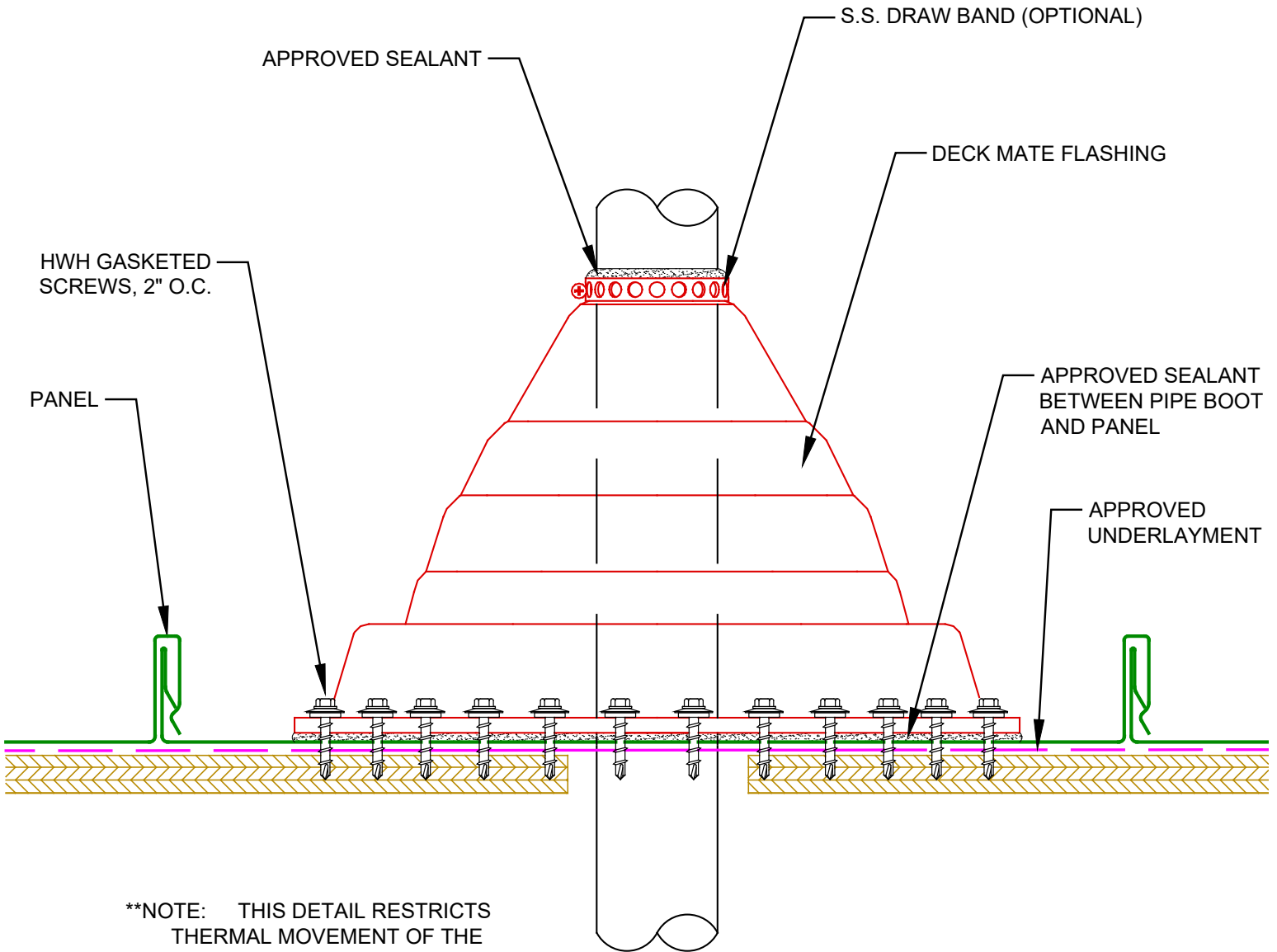
Rev. 10/2020

Copyright © 2020 by Extreme Metal Fabricators All rights reserved. No part of this document may be reproduced, distributed, or transmitted in any form or by any means, including photocopying, recording, or other electronic or mechanical methods, without the prior written permission of Extreme Metal Fabricators.

PENETRATION

DETAIL NO. **SS-PF1**

NOT TO SCALE



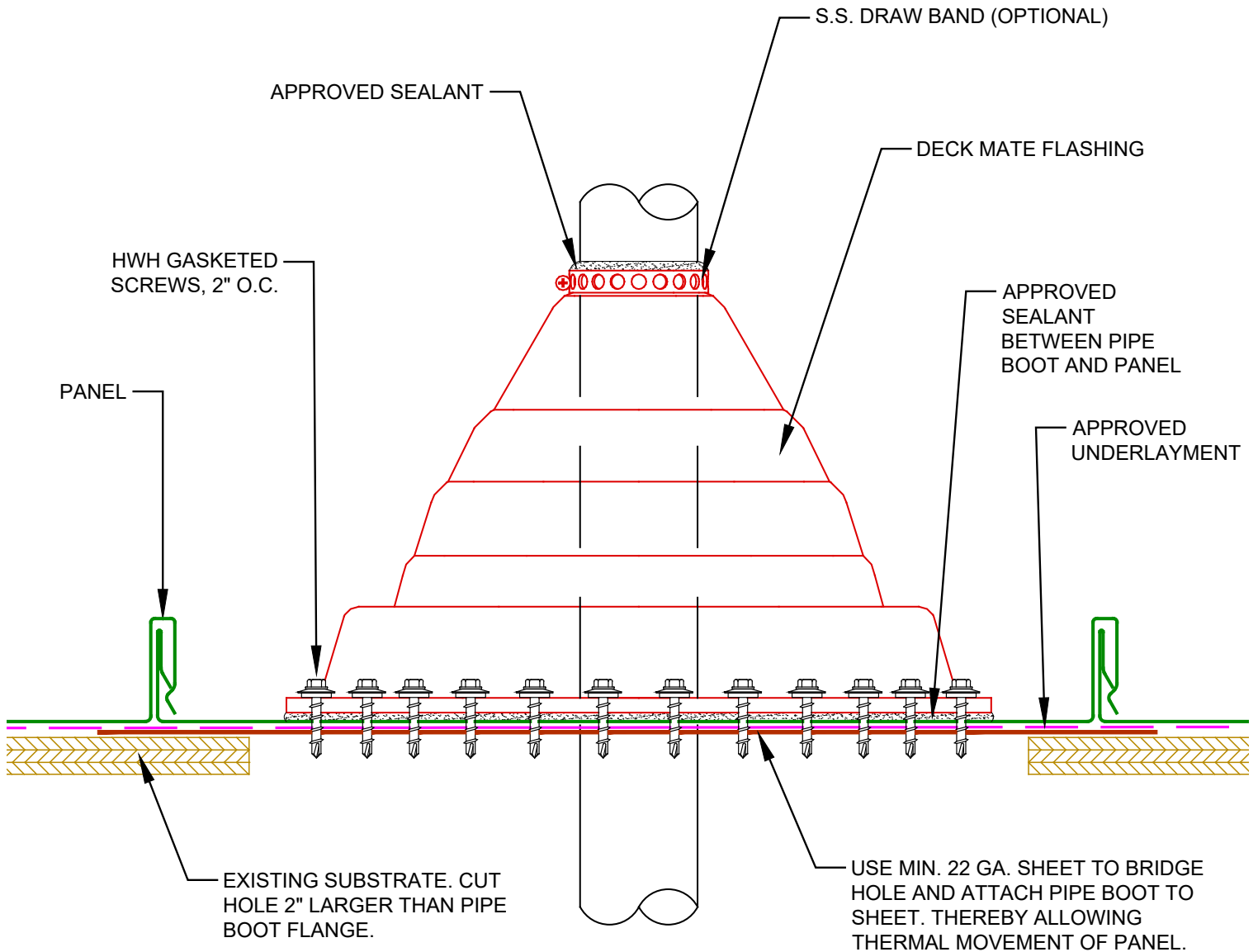
Rev. 10/2020

Copyright © 2020 by Extreme Metal Fabricators All rights reserved. No part of this document may be reproduced, distributed, or transmitted in any form or by any means, including photocopying, recording, or other electronic or mechanical methods, without the prior written permission of Extreme Metal Fabricators.

FLOATING PENETRATION

DETAIL NO. SS-PF2

NOT TO SCALE



Rev. 10/2020

Copyright © 2020 by Extreme Metal Fabricators All rights reserved. No part of this document may be reproduced, distributed, or transmitted in any form or by any means, including photocopying, recording, or other electronic or mechanical methods, without the prior written permission of Extreme Metal Fabricators.



SKILLED CRAFTERS OF METAL ROOFING SYSTEMS

WE GO ABOVE AND BEYOND THE ROOF

SERVICE • DURABILITY • LONGEVITY • VALUE

Have more questions?

NEEDMETAL@EMFAB.NET

Corporate Office and Plant

2160 SW Poma Drive
Palm City, Florida 34990
772.872.8034
needmetal@emfab.net

Key Largo Service Center

Key Largo, Florida 33037
833.363.7663
needmetal@emfab.net

Panama City Service Center

7111 Bayou George Drive
Panama City, Florida 32404
833.363.7663
needmetal@emfab.net

EXTREMEMETALFABRICATORS.COM

